

MAGIC LIFT SERVICE JACKS



One Piece Handle

- Innovative design of Magic Lift offers a quick lift for professional performance, U.S. Patent No.6,199,379
- Heavy gauge construction with rugged universal joint release valve
- Built-in by-pass device protects hydraulic system from over pumping damage U.S. Patent No.5,946,912
- Metered release system allows for precise load control
- After the first pump reaches the lifting point, the jack continues with extraordinary lifting speed to raise the load to the desired height
- Rolled side frame adds strength and rigidity to reduce twisting



Two Piece Handle



25025A
2-1/2 Ton Capacity



25025
2-1/2 Ton Capacity



One Piece Handle



25037
3 Ton Capacity

Model	Capacity	Minimum Height	Maximum Height	Handle Length	Saddle Diameter	Jack Size Length	Jack Size Width	Jack Size Height	G.W.
25025	2-1/2 Ton	4"	20"	49-7/8"	5-1/2"	29-3/4"	13-1/4"	6-1/4"	99 Lbs.
25025A						31-7/8"	15-3/8"	7-3/8"	138 Lbs.
25037	3 Ton		23"						

MAGIC LIFT SERVICE JACKS



One Piece Handle

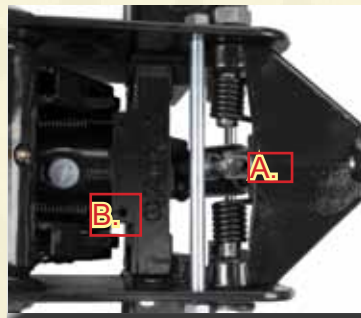


27026
2-1/2 Ton Capacity

Two Piece Handle



27025
2-1/2 Ton Capacity



A. Universal joint release mechanism provides precision control of load descent in any handle position

B. Exclusive designed breather plug eliminates air in the hydraulic system, optimizing jack performance, U.S. Patent No.7,194,859



Two Piece Handle



27035
3-1/2 Ton Capacity

One Piece Handle



27036
3-1/2 Ton Capacity



Model	Capacity	Minimum Height	Maximum Height	Handle Length	Saddle Diameter	Jack Size Length	Jack Size Width	Jack Size Height	G.W.
27025	2-1/2 Ton	4"	20-1/4"	49-7/8"	5-1/2"	29-3/8"	14-7/8"	7-1/4"	88 Lbs.
27026			21-5/8"						
27035	3-1/2 Ton	4"	21-5/8"	49-7/8"	4-3/4"	30-7/8"	14-7/8"	7-1/4"	109 Lbs.
27036			21-5/8"						



MAGIC LIFT SWIVEL HANDLE SERVICE JACK

- Innovative design of Magic Lift offers a quick lift for professional performance, U.S. Patent No.6,199,379
- Heavy gauge construction with rugged universal joint release valve
- A built-in by-pass device protects hydraulic system from over pumping damage, U.S. Patent No.5,946,912
- Metered release system allows for precise load control after the first pump reaches the lifting point, the jack continues with extraordinary lifting speed to raise the load to the desired height



Breather plug assembly, U.S. Patent No.7,194,857



Swivel Handle rotated 120° to allow for pumping in tight lifting area

26025
2-1/2 Ton Capacity

Model	Capacity	Minimum Height	Maximum Height	Handle Length	Saddle Diameter	Jack Size Length	Jack Size Width	Jack Size Height	G.W.
26025	2-1/2 Ton	4"	20"	49-7/8"	5-1/2"	31"	13-1/4"	6-1/4"	106 Lbs.

MAGIC LIFT ALUMINUM JACK

- All aluminum structure
- 3-3/4 inch low pickup height for easy access to low profile performance
- Innovative design of Magic Lift, U.S. Patent No.6,199,379 offers a quick lift for professional performance
- 48 inch aluminum handle for strength when pumping
- A built-in by-pass device protects hydraulic system from over pumping damage, U.S. Patent No.5,946,912
- Side frame handles allow for easy lifting and carrying

Anti-slip release handle , U.S. Patent No.7,036,797

Breather plug assembly, U.S. Patent No.7,194,857



26020
2 Ton Capacity

Model	Capacity	Minimum Height	Maximum Height	Handle Length	Saddle Diameter	Jack Size Length	Jack Size Width	Jack Size Height	G.W.
26020	2 Ton	3-3/4"	18-1/2"	44"	4-7/8"	27-3/4"	12-1/4"	6-1/4"	45 Lbs.



HIGH LIFT MAGIC LIFT SERVICE JACK

Breather plug assembly,
U.S. Patent No.7,194,857



25023
2 Ton Capacity

- Innovative design of Magic Lift offers a quick lift for professional performance, U.S. Patent No.6,199,379
- Heavy gauge construction with rugged universal joint release valve
- A built-in by-pass device protects hydraulic system from over pumping damage, U.S. Patent No.5,946,912
- Metered release system allows for precise load control
- After the first pump reaches the lifting point, the jack continues with extraordinary lifting speed to raise the load to the desired height



Model	Capacity	Minimum Height	Maximum Height	Handle Length	Saddle Diameter	Jack Size Length	Jack Size Width	Jack Size Height	G.W.
25023	2 Ton	3-7/8"	32-1/8"	41-3/8"	5-1/2"	41-1/8"	15-3/8"	8"	164 Lbs.

LOW PROFILE MAGIC LIFT SERVICE JACK

- 2-1/2" Min. Ht. Low-profile design for maximum access which fits easily and safely under vehicle
- Extra long low side frames designed for long reach under the car chassis
- Innovative design of Magic Lift offers a quick lift for professional performance, U.S. Patent No.6,199,379
- Wide stance and low center of gravity provides optimum stability under load stress
- Universal joint release mechanism provides precision control of load descent in any handle position
- Exclusive designed breather plug eliminates air in the hydraulic system, optimizing jack performance
- A built-in by-pass device protects hydraulic system from over pumping damage, U.S. Patent No.5,946,912

Breather plug assembly,
U.S. Patent No.7,194,857



29023
2 Ton Capacity

29025
2 Ton Capacity



Model	Capacity	Minimum Height	Maximum Height	Handle Length	Saddle Diameter	Jack Size Length	Jack Size Width	G.W.
29023	2 Ton	2-1/2"	20"	52"	4-7/8"	42-1/2"	13-3/4"	121 Lbs.
29025			19-5/8"			30"	13-5/8"	91 Lbs.



MAGIC LIFT SERVICE JACK

- Innovative design of Magic Lift offers a quick lift for professional performance, U.S. Patent No.6,199,379 performance
- Heavy gauge side frames resist twisting
- A built-in by-pass device protects hydraulic system from over pumping damage, U.S. Patent No.5,946,912



25030
3 Ton Capacity



HANDLE

The Handle connection is specially re-inforced to be as firm as the one piece handle

Model	Capacity	Minimum Height	Maximum Height	Handle Length	Saddle Diameter	Jack Size Length	Jack Size Width	Jack Size Height	G.W.
25030	3 Ton	5-3/4"	19-3/4"	42-1/8"	5-1/2"	27-1/2"	13-3/8"	6-3/8"	87 Lbs.

MAGIC LIFT SERVICE JACK COMBO



25032
3 Ton Capacity
with 3 Ton Jack Stands
(rated capacity per pair)

- Innovative design of Magic Lift offers a quick lift for professional performance, U.S. Patent No.6,199,379
- A built-in by-pass device protects hydraulic system from over pumping damage, U.S. Patent No.5,946,912
- Steel frame construction for added strength
- Wide solid stance for extra stability
- Packed in one box for easy storage and delivery



Model	Capacity (per pair)	Minimum Height	Maximum Height	Saddle Size	Base Size (L X W)	G.W. (pair)
32035 Jack Stands	3 Ton	11-1/2"	17"	3-1/2" X 1"	6-3/4" X 7-3/4"	16 Lbs.

Model	Capacity	Minimum Height	Maximum Height	Handle Length	Saddle Diameter	Jack Size Length	Jack Size Width	Jack Size Height	G.W.
25032 Service Jack	3 Ton	5-1/4"	20-7/8"	42-1/8"	5"	27-1/8"	13-3/8"	6-3/4"	98 Lbs.



MAGIC LIFT LONG CHASSIS SERVICE JACKS

- Innovative design of Magic Lift offers a quick lift for professional performance, U.S. Patent No.6,199,379
- Heavy gauge, steel frame helps prevent distortion and twisting
- Safety by-pass and over-load systems protect hydraulics, U.S. Patent No.5,946,912

FAST & SAFE!
Convenient foot pedal designed for fast, no load lifts.



Breather plug assembly,
U.S. Patent No.7,194,857



25057
5 Ton Capacity



Breather plug assembly,
U.S. Patent No.7,194,857

25107
10 Ton Capacity

Model	Capacity	Minimum Height	Maximum Height	Handle Length	Saddle Diameter	Jack Size Length	Jack Size Width	Jack Size Height	G.W.
25048C	4 Ton	5"	24"	40-5/8"	5	50-5/8"	15-1/2"	7-1/2"	172 Lbs.
25057	5 Ton	6-1/2"	22-1/4"	40"	6-1/2"	52-1/2"	17-1/8"	7-1/4"	202 Lbs.
25107	10 Ton	6-7/8"	27"	45-7/8"	6-1/2"	55-7/8"	19-5/8"	9-5/8"	308 Lbs.