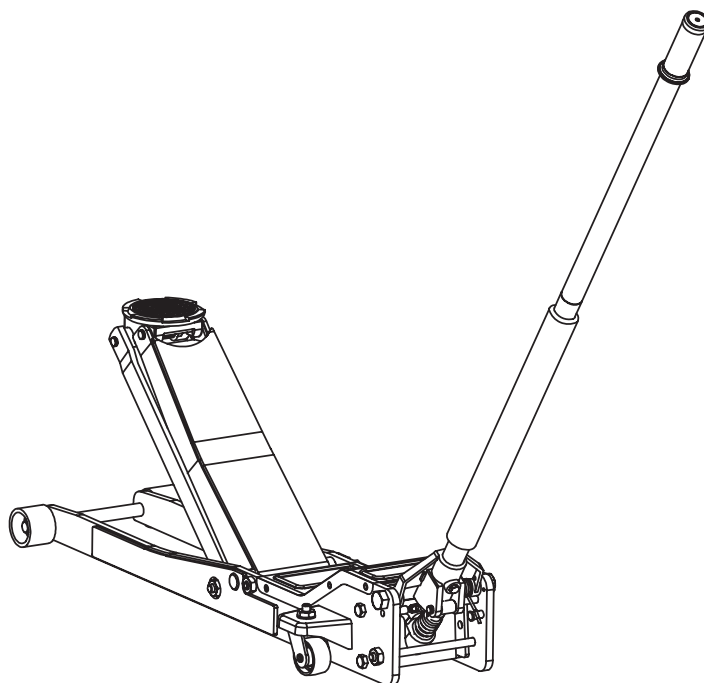


OMEGALIFT™ EQUIPMENT

MagicLift™ Service Jack, Low Profile

Model
29023B

Capacity
2 Ton



U.S. Patent No's. 6,199,379 • 5,946,912



This is the safety alert symbol. It is used to alert you to potential personal injury hazards. Obey all safety messages that follow this symbol to avoid possible injury or death.

!WARNING



*To avoid crushing and related injuries:
NEVER work on, under or around a
load supported only by a hydraulic
jack. ALWAYS use an identical pair of
adequately rated jack stands.*

SFA Companies
<http://www.omegalift.com>

Read this manual and follow all the Safety Rules and Operating Instructions before using this product.

29023B-M0_112017

SAFETY AND GENERAL INFORMATION

Save these instructions. For your safety, read, understand, and follow the information provided with and on this device before using. The owner and/or operator shall have an understanding of the device, its operating characteristics and safety operating instructions before operating the equipment. The owner and/or operator shall be aware that use and repair of this product may require special skills and knowledge. Instructions and safety information shall be read to and discussed with the operator in the operator's native language, making sure that the operator comprehends their contents, before use of this equipment is authorized. If any doubt exists as to the safe and proper use of this device, remove from service immediately.

Inspect before each use. Do not use if abnormal conditions such as cracked welds, damaged, loose or missing parts are noted. Any equipment that appears damaged in any way, is found to be worn, or operates abnormally shall be removed from service until repaired. If the equipment has been or is suspected to have been subjected to an abnormal load or shock, immediately discontinue use until inspected by a factory authorized repair facility (contact distributor or manufacturer for list of authorized repair facilities). It is recommended that an annual inspection be made by an authorized repair facility. Labels and Operator's Manuals are available from the manufacturer.

PRODUCT DESCRIPTION

This Hydraulic Service Jack is designed to lift, but not support, one end of a vehicle. Immediately after lifting, loads must be supported by an identical pair of appropriately rated jack stands. MagicLift™ service jacks have a unique feature that provides fast, no load lifts to the jacking point, at which time it lifts in approximately 1/4" ~ 3/4" increments.

⚠ WARNING: *Never use a hydraulic jack as a stand-alone device. After lifting, immediately support the lifted vehicle with an identical pair of appropriately rated jack stands.*

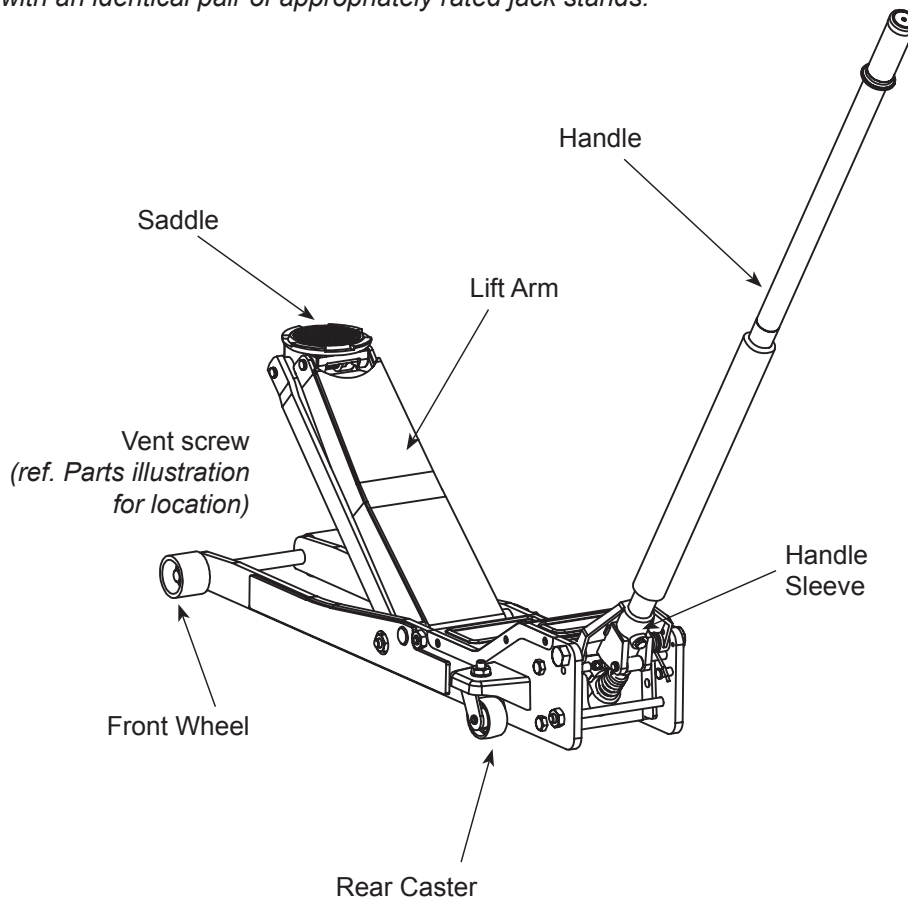
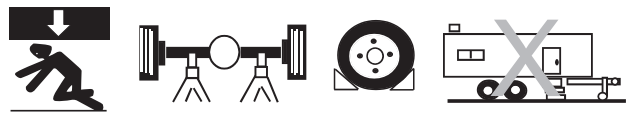


Figure 1 - Service Jack Nomenclature

!WARNING

- Study, understand, and follow all instructions before operating this device.
- Do not exceed rated capacity.
- Use only on hard, level surface capable of supporting the load.
- Lifting device only. Immediately after lifting, support the vehicle with appropriate means.
- Do not move or dolly the vehicle while on the jack.
- Lift only on areas of the vehicle as specified by the vehicle manufacturer.
- No alterations shall be made to this product.
- Failure to heed these markings may result in personal injury and/or property damage.

!WARNING



To avoid crushing and related injuries:

- Never work on, under or around a load supported only by hydraulic jack.
- Always use an identical pair of adequately rated jack stands.
- Chock each unlifted tire in both directions.
- Do not use this device to lift, level, lower, support nor move a house, mobile home, travel trailer, camper or any building structure.
- Be alert and sober when using this product. Do not operate under the influence of drugs or alcohol.

SPECIFICATIONS

Model	Capacity	Jack Size (L x W x H)	Min. Height	Max. Height
29023B	2 Ton	42-1/2" x 13-3/4" x 7"	2-1/2"	20"

PREPARATION

Assembly

1. Assemble the two-piece handle with provided bolt.
2. Insert handle into the handle fork. Tighten the bolt on handle fork to prevent accidental removal of handle while in use.

! WARNING: Do not lift or carry jack by handle. Handle could dislodge and jack fall, resulting in possible injury or property damage.

Before Use

1. Verify that the product and application are compatible, if in doubt call Omega Tech Service (888) 332-6419.
2. Before using this product, read the operator's manual completely and familiarize yourself thoroughly with the product, its components and recognize the hazards associated with its use.
3. To familiarize yourself with basic operation, locate and turn the release valve (handle):
 - a. *Clockwise* until firm resistance is felt to further turning. This is the '**CLOSED**' release valve position used to raise the saddle.
 - b. *Counter-clockwise*, but no more than 1/2 turn from the closed position. This is the '**OPEN**' release valve position used to lower the saddle.
4. With saddle fully lowered, and release valve closed, pump the operating handle. If lift arm responds immediately, jack is ready for use. If jack does not respond, follow **Bleeding/Venting Trapped Air** procedure below.
5. Ensure that jack rolls freely. Raise and lower the unloaded saddle throughout the lifting range before putting into service to ensure the pump operates smoothly. Replace worn or damaged parts and assemblies with Omega authorized replacement parts only.

Bleeding/Venting Trapped Air


With the Release Valve in the OPEN position (3b above) and Saddle fully lowered, locate and remove the Oil Filler Plug/Screw. Pump Handle 6 to 8 full strokes. This will help release any pressurized air which may be trapped within the reservoir. Check oil level and reinstall Oil Filler Plug/Screw.

OPERATION

Lifting

1. Follow the vehicle manufacturer's recommended guidelines for lifting. Engage the emergency brake and chock each unlifted wheel in both directions to prevent inadvertent vehicle movement.
2. Close the release valve by turning the handle clockwise until firm resistance is felt.
3. Refer to the vehicle manufacturer owner's manual to locate approved lifting points on the vehicle. Center jack saddle under lift point.
4. Pump handle to contact lift point. To lift, continue pumping until load reaches desired height.
5. Transfer the load **immediately** to an identical pair of appropriately rated jack stands.

Lowering

 **WARNING:** Clear all tools and personnel before lowering load. Open release valve slowly. The further handle is turned counter-clockwise, the faster the load will descend. Maintain control of the load at all times.

1. Raise load high enough to clear jack stands.
2. Remove jack stands.
3. Slowly turn the handle counter-clockwise, but no more than 1/2 full turn.
If the load fails to lower:
 - a. Use a functioning jack to raise the vehicle high enough to reinstall jack stands.
 - b. Remove the malfunctioning jack and then the jack stands.
 - c. Use the functioning jack to lower the vehicle.
4. After removing jack from under the vehicle, lower lifting arm completely to reduce ram exposure to rust and contamination.

MAINTENANCE

NOTICE: Use only good quality hydraulic jack oil. Avoid mixing different types of fluid and NEVER use brake fluid, turbine oil, transmission fluid, motor oil or glycerin. Improper fluid can cause premature failure of the jack and the potential for sudden and immediate loss of load. Premium hydraulic jack oil is recommended.

Adding oil

1. With saddle fully lowered set jack in its upright, level position. Remove vent screw.
2. Fill with oil until ~3/16" above the inner cylinder as seen from the oil filler hole. Reinstall vent screw.

Changing oil

For best performance and longest life, replace the complete fluid supply at least once per year.

1. With saddle fully lowered, remove vent screw.
2. Lay the jack on its side and drain the fluid into a suitable container.

NOTICE: Dispose of hydraulic fluid in accordance with local environmental regulations.

3. Fill with oil until ~3/16" above the inner cylinder as seen from the oil filler hole. Reinstall vent screw.

Lubrication

A periodic coating of light lubricating oil to pivot points, axles and hinges will help to prevent rust and assure that wheels, casters and pump assemblies move freely. Lubricate lift arm through grease fittings.

Cleaning

Check the pump piston and ram for signs of rust or corrosion. Clean as needed and wipe with an oily cloth.

NOTICE: Do not use sandpaper or abrasive material on ram and pump piston surfaces.

Storage

When not in use, store the jack with saddle fully lowered.

TROUBLESHOOTING

Symptom	Possible Causes	Corrective Action
Jack will not lift load	<ul style="list-style-type: none"> • Release valve not tightly closed • Load is too heavy 	<ul style="list-style-type: none"> • Ensure release valve tightly closed • Consider higher capacity jack
Jack will lift, but not maintain pressure	<ul style="list-style-type: none"> • Release valve not tightly closed • Hydraulic unit malfunction 	<ul style="list-style-type: none"> • Ensure release valve tightly closed • Discontinue use, contact Omega Technical Service
Jack will not lower after unloading	<ul style="list-style-type: none"> • Reservoir overfilled • Linkages binding 	<ul style="list-style-type: none"> • Drain fluid to proper level • Clean and lubricate moving parts • Inspect for damage. If found, discontinue use and contact Omega Technical Service
Poor lift performance	<ul style="list-style-type: none"> • Fluid level low • Hydraulic unit malfunction 	<ul style="list-style-type: none"> • Ensure proper fluid level • Discontinue use, contact Omega Technical Service
Will not lift to full extension	<ul style="list-style-type: none"> • Fluid level low 	<ul style="list-style-type: none"> • Ensure proper fluid level

REPLACEMENT PARTS

Not all components of the jack are replacement items, but are illustrated as a convenient reference of location and position in the assembly sequence. When ordering parts, give Model number, serial number and parts description. Call or write for current pricing: SFA Companies, 10939 N. Pomona Ave. Kansas City, MO 64153, USA. Tel: (888) 332-6419; Fax: (816) 891-6599; e-mail: sales@omegalift.com; Website: <http://www.omegalift.com>

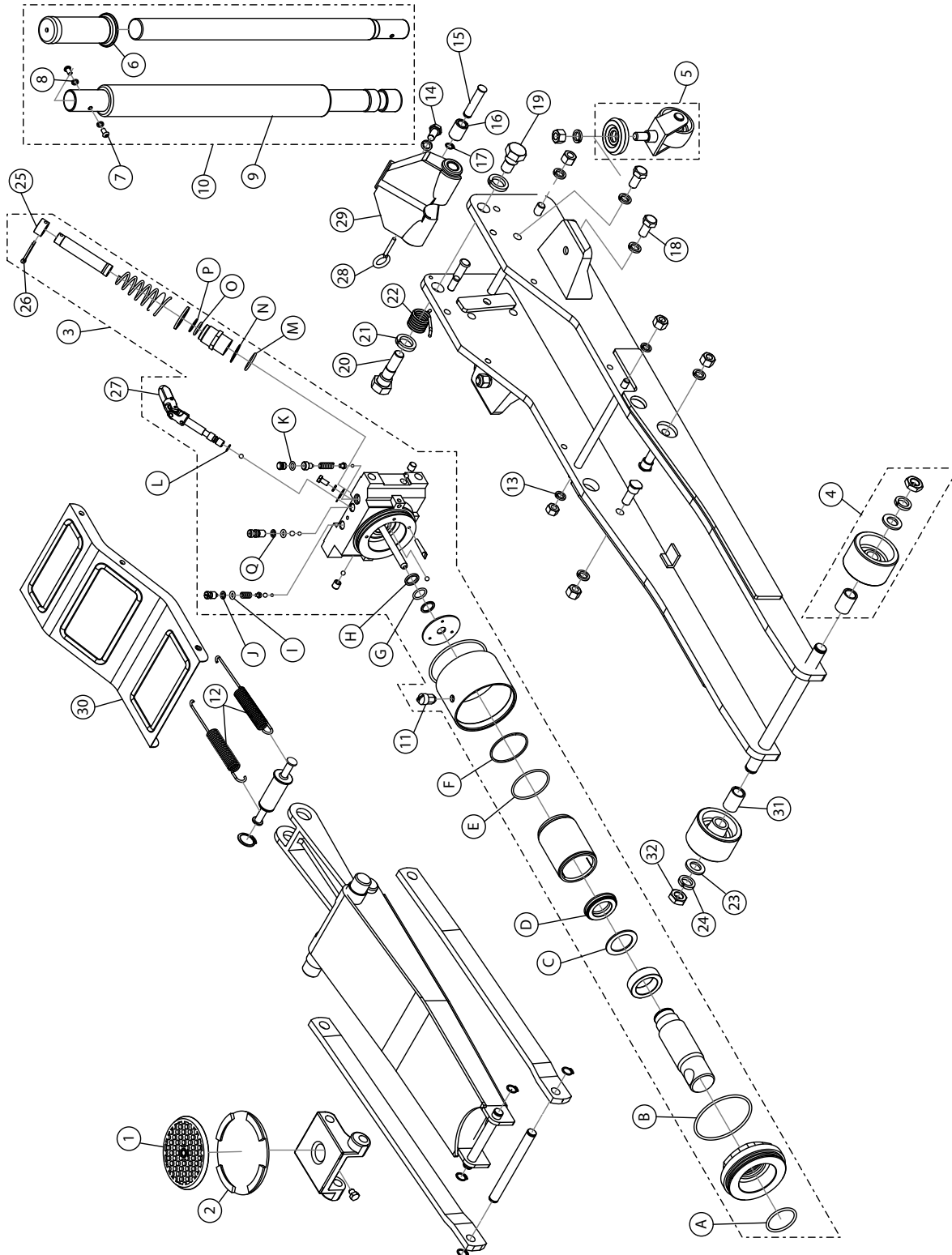


Figure 2 - Replacement Parts Illustration for Model 29023B

Item	Part No.	Description	Qty
1	G880-50005-0440	Saddle Pad	1
2	G863-10003-0000	Saddle	1
3	QG86308-K02	Hydraulic Unit	1
4	QG72500-K03	Front Wheel Assembly	2
5	QG48900-K04	Rear Caster Assembly	2
6	G738-00001-0040	Handle Grip	1
7	G93M-00002-0410	Socket Head Screw	2
8	1413-00006-204	Lock Washer	2
9	G620-55001R9040	Foam Protection	1
10	QG86308-K05	Handle Assembly	1
11	G62S-03300-200	Vent Screw	1
12	G880-20007-0410	Return Spring	2
13	1413-00010-204	Lock Washer	1
14	G489-40006-0000	Handle Bolt	1
15	G735-40003-0410	Handle Base Pin	1
16	G735-40005-0410	Roller	1
17	1433-00012-204	Snap Ring	1
18	G880-20010-0410	Hydraulic Unit Attachment Screw	4

Item	Part No.	Description	Qty
19	G489-20007-0410	Left Handle Bolt	1
20	G489-20005-0410	Right handle Bolt	1
21	1413-00020-204	Lock Washer	2
22	G735-20005-0410	Torsion Spring	1
23	1405-00016-031	Washer	2
24	1413-00016-204	Lock Washer	2
25	G694-32003-0410	Spring Stop	1
26	1529-40030-031	Retainer	1
27	G863-83000-0000	Release Valve Assembly	1
28	G880-10003-0420	Retaining Pin	1
29	G863-55001-1000	Handle Sleeve	1
30	G863-20001-0002	Cover	
31	G880-20006-000	Bearing Bushing	2
32	1305-00016-031	Nut	2
**	QG86308-K00	Seal Kit (includes a thru q)	1
-	29023B-M0	Manual	-
-	29023B-L0	Label	-

**Repair Kit Contents:

Item	Description	Qty
A	O-ring	1
B	O-ring	2
C	Back-up Ring	1
D	U-cup	1
E	Back-up Ring	1
F	O-ring	1
G	Washer, Metal	1
H	Back-up Washer	1
I	O-ring	2

Item	Description	Qty
J	Bushing Cover	1
K	Back-up Washer	2
L	Oil Seal	2
M	O-ring	1
N	O-ring	1
O	Back-up Washer	1
P	O-ring	1
Q	Back-up Washer	1

(**) Replacement requires special skills, knowledge, and equipment. Only an authorized service center may perform the repair and/or replacement of these items.

ONE YEAR LIMITED WARRANTY

For a period of one (1) year from date of purchase, **SFA Companies** will repair or replace, at its option, without charge, any of its products which fails due to a defect in material or workmanship under normal usage. This limited warranty is a consumer's exclusive remedy.

Performance of any obligation under this warranty may be obtained by returning the warranted product, freight prepaid, to **SFA Companies** Warranty Service Department, 10939 N. Pomona Ave., Kansas City, MO 64153.

Except where such limitations and exclusions are specifically prohibited by applicable law, (1) THE CONSUMER'S SOLE AND EXCLUSIVE REMEDY SHALL BE THE REPAIR OR REPLACEMENT OF DEFECTIVE PRODUCTS AS DESCRIBED ABOVE. (2) **SFA COMPANIES** SHALL NOT BE LIABLE FOR ANY CONSEQUENTIAL OR INCIDENTAL DAMAGE OR LOSS WHATSOEVER. (3) ANY IMPLIED WARRANTIES, INCLUDING WITHOUT LIMITATION THE IMPLIED WARRANTIES OF MERCHANTABILITY AND FITNESS FOR A PARTICULAR PURPOSE, SHALL BE LIMITED TO ONE YEAR, OTHERWISE THE REPAIR, REPLACEMENT OR REFUND AS PROVIDED UNDER THIS EXPRESS LIMITED WARRANTY IS THE EXCLUSIVE REMEDY OF THE CONSUMER, AND IS PROVIDED IN LIEU OF ALL OTHER WARRANTIES, EXPRESS OR IMPLIED. (4) ANY MODIFICATION, ALTERATION, ABUSE, UNAUTHORIZED SERVICE OR ORNAMENTAL DESIGN VOIDS THIS WARRANTY AND IS NOT COVERED BY THIS WARRANTY.

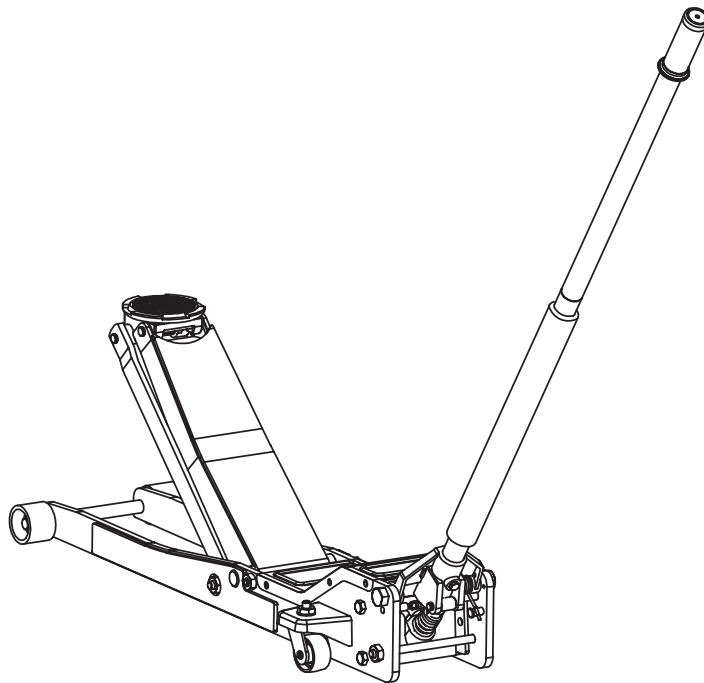
Some states do not allow limitations on how long an implied warranty lasts, so the above limitation may not apply to you. Some states do not allow the exclusion or limitation of incidental or consequential damages, so the above limitation or exclusion may not apply to you. This warranty gives you specific legal rights, and you may also have other rights, which vary from state to state.

OMEGALIFT™ EQUIPMENT

Cric MagicLift^{MC} pour entretien, à profil bas

Modèle
29023B

Capacité
1 814 kg (2 tonnes américaines)



Brevets américains n° 6 199 379 et 5 946 912



Voici le symbole signalant un danger pour la sécurité. Il est utilisé pour vous alerter des dangers potentiels de blessures.

Respectez tous les messages de sécurité qui suivent ce symbole afin d'éviter les blessures et la mort.

⚠ MISE EN GARDE



*Pour éviter un écrasement et les blessures en lien avec celui-ci :
Ne travaillez JAMAIS autour d'une charge, en dessous d'elle ou
sur celle-ci, si elle est supportée seulement par un cric hydraulique.
Utilisez TOUJOURS une paire identique de béquilles de cric dont la
capacité nominale est adéquate.*

SFA Companies
<http://www.omegalift.com>

Lisez ce manuel et observez toutes les consignes de sécurité et d'utilisation avant d'utiliser ce produit.

INFORMATIONS GÉNÉRALES ET INFORMATIONS RELATIVES À LA SÉCURITÉ

Conservez ces instructions. Pour votre sécurité, lisez, comprenez et respectez toutes les consignes fournies avec ce produit ou se trouvant sur celui-ci avant de l'utiliser. Le propriétaire, ainsi que l'utilisateur, doit comprendre le fonctionnement du produit, ses caractéristiques de fonctionnement et les consignes de sécurité associées à son utilisation avant de s'en servir. Ces personnes doivent aussi savoir que, pour utiliser ou réparer ce produit, il peut être nécessaire d'avoir des connaissances ou des habiletés spéciales. Avant que l'utilisation de ce produit ne soit autorisée, il faut lire, dans la langue maternelle de l'opérateur, les instructions et les informations relatives à la sécurité pour qu'il en prenne connaissance et discuter de celles-ci avec lui, de manière à s'assurer qu'il les comprend. S'il y a des doutes quant à la façon adéquate et sécuritaire de se servir du produit, il faut en cesser l'utilisation immédiatement.

Inspectez avant chaque utilisation. N'utilisez pas ce produit s'il est dans un état anormal, comme lorsqu'il y a des soudures fissurées, des dommages ou des pièces manquantes ou mal fixées. Tout équipement qui semble être endommagé d'une quelconque façon, est usé ou fonctionne de manière anormale ne doit plus être utilisé jusqu'à ce qu'il soit réparé. Si le produit a été soumis ou s'il y a des raisons de croire qu'il a été soumis à une charge ou à un choc anormal, cessez de l'utiliser immédiatement jusqu'à ce qu'il soit inspecté à un centre de réparation autorisé par le fabricant (communiquez avec le distributeur ou le fabricant pour avoir une liste des endroits autorisés). Il est recommandé qu'une inspection annuelle soit faite à un centre autorisé. Il est possible de se procurer d'autres étiquettes et d'autres manuels auprès du fabricant.

DESCRIPTION DU PRODUIT

Ce cric hydraulique pour entretien est conçu pour soulever, et non supporter, une extrémité de véhicule. Les charges doivent être supportées par une paire identique de béquilles de cric à capacité nominale adéquate immédiatement après le levage. Ce cric pour entretien MagicLift^{MC} est doté d'une caractéristique unique qui lui permet d'atteindre rapidement le point de levage, point à partir duquel le levage se fait par intervalles approximatifs de 6,35 mm (1/4 po) à 19,05 mm (3/4 po).

⚠ MISE EN GARDE : *N'utilisez jamais un cric hydraulique comme seul dispositif de soutien. Après le levage, faites reposer immédiatement le véhicule soulevé sur une paire identique de béquilles de cric à capacité nominale adéquate.*

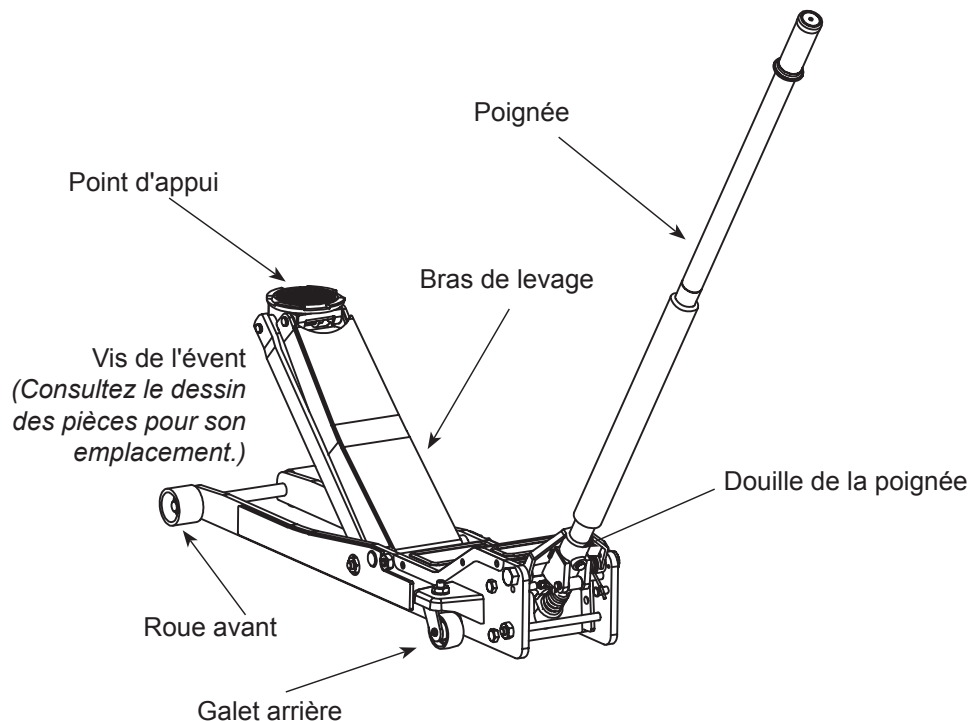
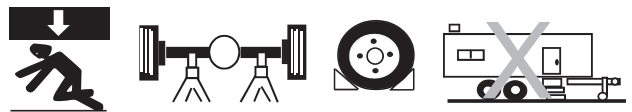


Figure 1 : Composants d'un cric pour entretien

⚠ MISE EN GARDE

- Lisez, comprenez et respectez toutes les instructions avant d'utiliser ce produit.
- Ne dépassez pas la capacité nominale.
- Utilisez le produit seulement sur des surfaces dures et de niveau capable de supporter la charge.
- Utilisez pour le levage seulement. Immédiatement après le levage, faites en sorte que le véhicule soit supporté par un moyen adéquat.
- Ne déplacez pas le véhicule lorsqu'il est supporté par le cric.
- Utilisez le cric seulement aux points de levage indiqués par le fabricant du véhicule.
- Ne modifiez pas ce produit.
- Le non-respect des consignes peut entraîner des blessures ou des dommages matériels.

⚠ MISE EN GARDE



Pour éviter un écrasement et les blessures en lien avec celui-ci :

- Ne travaillez jamais autour d'une charge, en dessous d'elle ou sur celle-ci, si elle est supportée seulement par un cric hydraulique.
- Utilisez toujours une paire identique de béquilles de cric dont la capacité nominale est adéquate.
- Mettez des cales à l'avant et à l'arrière des pneus non soulevés.
- N'utilisez pas cet appareil pour soulever, mettre à niveau, abaisser, supporter ou déplacer une maison, une maison mobile, une caravane classique, une roulotte ou une structure d'édifice.
- Soyez vigilant et sobre lorsque vous utilisez ce produit. Ne vous en servez pas si vous avez consommé de l'alcool ou de la drogue.

SPÉCIFICATIONS

Modèle	Capacité	Dimensions du cric (L x l x H)	Hauteur min.	Hauteur max.
29023B	1 814 kg (2 tonnes américaines)	107,95 x 34,93 x 17,78 cm (42-1/2 x 13-3/4 x 7 po)	6,35 cm (2-1/2 po)	50,8 cm (20 po)

PRÉPARATION

Assemblage

1. Assemblez la poignée à deux pièces avec le boulon fourni.
2. Insérez la poignée dans l'articulation de la poignée. Serrez le boulon de l'articulation de la poignée pour empêcher que celle-ci sorte de l'articulation de façon accidentelle pendant l'utilisation.

⚠ MISE EN GARDE : Ne soulevez pas et ne transportez pas le cric en le tenant par la poignée. La poignée pourrait être délogée et le cric, quant à lui, tomber, ce qui pourrait alors entraîner des blessures ou des dommages matériels.

Avant l'utilisation

1. Assurez-vous que le produit et son utilisation sont compatibles. Si vous avez des doutes, appelez le soutien technique pour les produits Omega au 1 888 332-6419.
2. Avant d'utiliser ce produit, lisez le manuel d'utilisation au complet et familiarisez-vous parfaitement avec le produit et ses composants, et identifiez les dangers associés à son utilisation.
3. Afin de vous familiariser avec le fonctionnement de base du cric, trouvez la soupape de surpression (poignée) et tournez-la :
 - a. Dans le sens *horaire* jusqu'à ce que vous sentiez une forte résistance au mouvement. C'est la position « **FERMÉE** » de la soupape de surpression utilisée pour soulever le point d'appui.
 - b. Dans le sens *antihoraire*, mais pas plus d'un demi-tour à partir de la position fermée. C'est la position « **OUVERTE** » de la soupape de surpression utilisée pour abaisser le point d'appui.
4. Lorsque le point d'appui est complètement abaissé et que la soupape de surpression est fermée, pesez sur le levier. Si le bras de levage réagit immédiatement, le cric peut maintenant être utilisé. Si ce n'est pas le cas, suivez les instructions de la section **Purge de l'air emprisonné** ci-dessous.
5. Assurez-vous que le cric fonctionne en douceur. Avant d'utiliser le cric, assurez-vous que le mécanisme fonctionne en douceur en levant le point d'appui à son niveau maximal, puis en l'abaissant à son niveau minimal, sans charge. Remplacez les pièces et les assemblages usés ou endommagés seulement par des pièces de rechange autorisées par Omega.

Purge de l'air emprisonné


Lorsque la soupape de surpression est à la position OUVERTE (étape 3 b. ci-dessus) et que le point d'appui est à son niveau minimal, trouvez et enlevez le bouchon ou la vis de remplissage d'huile. Abaissez et levez le levier de six à huit fois. Cela va faciliter la libération de tout air pressurisé pouvant être emprisonné dans le réservoir. Vérifiez le niveau d'huile et remettez le bouchon ou la vis.

FONCTIONNEMENT

Soulever

1. Respectez les lignes directrices du fabricant du véhicule pour le levage. Serrez le frein de stationnement du véhicule et mettez des cales à l'avant et à l'arrière des roues non soulevées pour empêcher tout déplacement du véhicule.
2. Fermez la soupape de surpression en tournant la poignée dans le sens horaire jusqu'à ce que vous sentiez une bonne résistance.
3. Consultez le manuel du propriétaire fourni par le fabricant du véhicule pour connaître les points de levage approuvés. Centrez le point d'appui du cric sur le point de levage.
4. Abaissez et levez le levier pour que le point d'appui entre en contact avec le point de levage. Pour soulever le véhicule, continuez à abaisser et à lever le levier jusqu'à ce que la charge atteigne la hauteur désirée.
5. Faites reposer la charge sur des béquilles de cric à capacité nominale adéquate **immédiatement**.

Abaisser

 **AVERTISSEMENT** : Avant d'abaisser la charge, assurez-vous qu'il n'y a aucun outil ni aucune personne en dessous de celle-ci. Ouvrez la soupape de surpression lentement. Plus le levier est tourné dans le sens antihoraire, plus la charge descend rapidement. Gardez le contrôle de la charge en tout temps.

1. Soulevez la charge suffisamment pour qu'elle ne touche plus aux béquilles.
2. Enlevez les béquilles.
3. Tournez lentement le levier dans le sens antihoraire, mais ne faites pas plus d'un demitour.
Si la charge ne descend pas :
 - a. Utilisez un autre cric pour soulever le véhicule suffisamment pour remettre les béquilles de cric.
 - b. Enlevez le cric défectueux et enlevez ensuite les béquilles de cric.
 - c. Utilisez le cric qui fonctionne pour faire descendre le véhicule.
4. Après avoir retiré le cric, faites descendre le bras de levage à son niveau minimal pour prévenir la rouille et la contamination du vérin.

ENTRETIEN

AVIS : Utilisez seulement de l'huile pour cric hydraulique de bonne qualité. Évitez de mélanger différents types de liquides et N'UTILISEZ JAMAIS de liquide pour frein, d'huile de turbine, de liquide de transmission, d'huile moteur ou de glycérine. L'utilisation d'un liquide inapproprié peut entraîner une défaillance prématurée du cric et causer une chute potentielle soudaine et immédiate de charge. Il est recommandé d'utiliser de l'huile pour cric hydraulique de première qualité.

Ajouter de l'huile

1. Lorsque le point d'appui est à son niveau minimal, mettez le cric debout et à niveau. Enlevez la vis de l'évent.
2. Mettez de l'huile jusqu'à ce que son niveau se trouve à environ 0,48 cm (3/16 po) au-dessus du cylindre intérieur, selon ce qui peut être observé à partir de l'orifice de remplissage. Remettez la vis de l'évent.

Changer l'huile

Afin d'obtenir une performance et une durée de vie optimales, remplacez complètement l'huile au moins une fois par année.

1. Lorsque le point d'appui est à son niveau minimal, enlevez la vis de l'évent.
2. Posez le cric sur le côté et purgez le liquide en l'envoyant dans un contenant adéquat.

AVIS : Jetez le liquide hydraulique en respectant la réglementation environnementale locale.

3. Mettez de l'huile jusqu'à ce que son niveau se trouve à environ 0,48 cm (3/16 po) au-dessus du cylindre intérieur, selon ce qui peut être observé à partir de l'orifice de remplissage. Remettez la vis de l'évent.

Lubrification

Une lubrification périodique des points de pivotement, des axes et des charnières faite avec de l'huile légère aide à prévenir la rouille et à assurer que les roues, les galets et les assemblages du levier bougent librement. Lubrifiez le bras de levage par les graisseurs.

Nettoyage

Inspectez le piston du levier et le vérin à piston plongeur pour voir s'il y a de la rouille ou de la corrosion. Nettoyez selon les besoins et essuyez avec un linge huileux.

AVIS : *N'utilisez pas de papier sablé ni de matériau abrasif sur le piston du levier et le vérin à piston plongeur.*

Rangement

Lorsque le cric n'est pas utilisé, rangez-le, son point d'appui devant être à son niveau minimal.

DÉPANNAGE

Problème	Causes possibles	Mesure corrective
Cric ne soulevant pas la charge	<ul style="list-style-type: none">• Soupape de surpression qui n'est pas bien fermée• Charge trop pesante	<ul style="list-style-type: none">• Assurez-vous que la soupape est bien fermée.• Utilisez un cric à plus grande capacité.
Cric soulevant la charge, mais qui ne maintient pas la pression	<ul style="list-style-type: none">• Soupape de surpression qui n'est pas bien fermée• Défaillance du vérin hydraulique	<ul style="list-style-type: none">• Assurez-vous que la soupape est bien fermée.• Cessez de l'utiliser et communiquez avec le soutien technique d'Omega.
Cric ne descendant pas après avoir enlevé la charge	<ul style="list-style-type: none">• Trop de liquide hydraulique dans le réservoir• Blocage des articulations	<ul style="list-style-type: none">• Purgez le liquide pour le ramener au bon niveau.• Nettoyez les pièces mobiles et lubrifiez-les.• Inspecter pour les dommages. Si trouvé, arrêtez l'utilisation et contactez le soutien technique d'Omega
Performance de levage médiocre	<ul style="list-style-type: none">• Niveau de liquide bas• Défaillance du vérin hydraulique	<ul style="list-style-type: none">• Assurez-vous que le niveau de liquide est adéquat.• Cessez de l'utiliser et communiquez avec le soutien technique d'Omega.
Système de levage ne s'élevant pas au maximum	<ul style="list-style-type: none">• Niveau de liquide bas	<ul style="list-style-type: none">• Assurez-vous que le niveau de liquide est adéquat.

PIÈCES DE RECHANGE

Ce ne sont pas toutes les pièces du cric qui peuvent être remplacées, mais elles sont illustrées pour montrer leur emplacement ainsi que leur position pour l'assemblage. Lorsque vous commandez des pièces, fournissez le numéro du modèle, le numéro de série et la description de la pièce. Pour connaître les prix actuels, appelez-nous ou écrivez-nous : SFA Companies 10939 N. Pomona Ave. Kansas City, MO 64153, É.U., Tél. : 1 888 332-6419; télécopieur : 1 816 891-6599; courriel : sales@omegalift.com; site Web : <http://www.omegalift.com>.

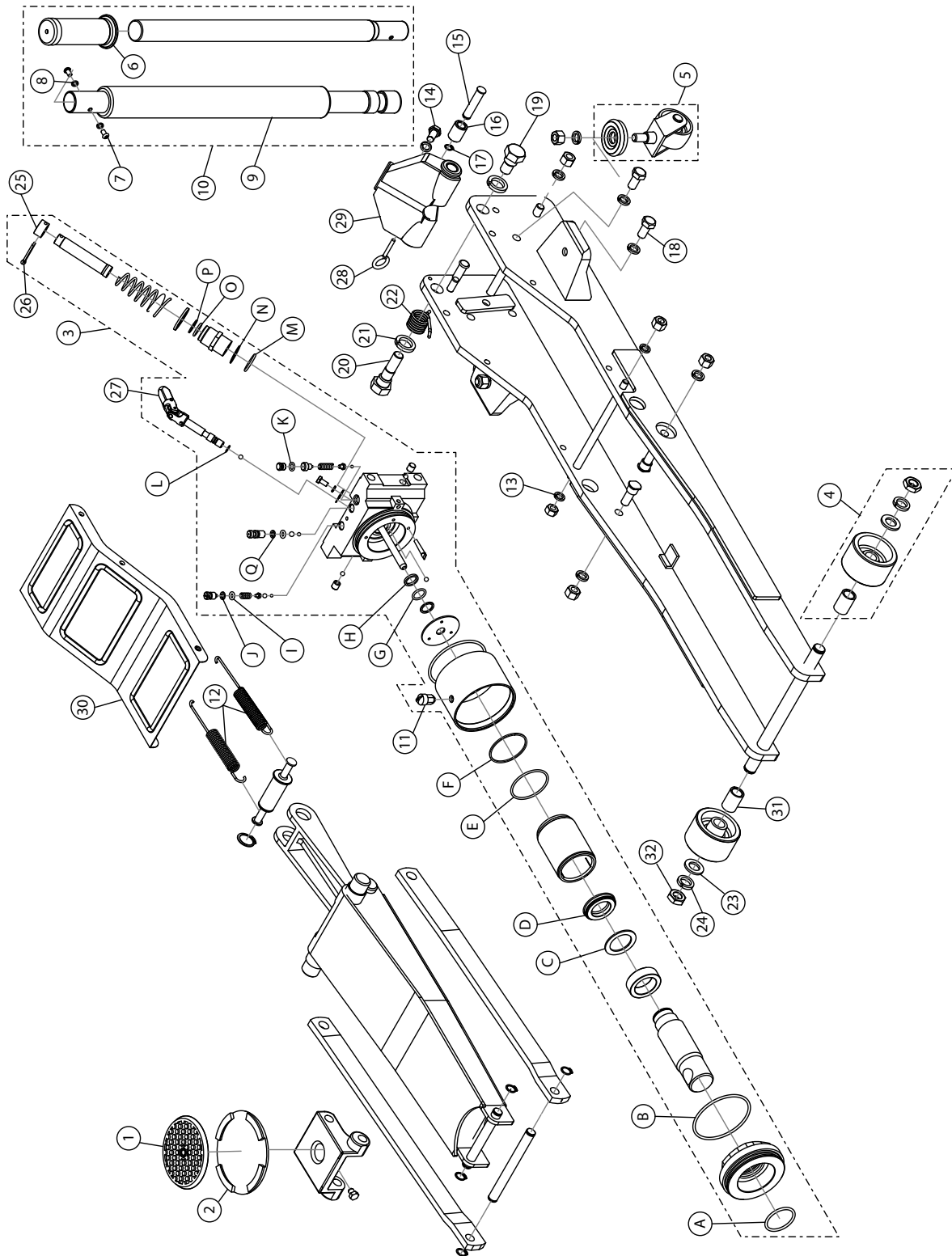


Figure 2 : Illustration des pièces de rechange du modèle 29023B

Pièce	N° de pièce	Description	Qté	Pièce	N° de pièce	Description	Qté
1	G880-50005-0440	Coussinet du point d'appui	1	18	G880-20010-0410	Vis de fixation du vérin hydraulique	4
2	G863-10003-0000	Point d'appui	1	19	G489-20007-0410	Boulon gauche de la poignée	1
3	QG86308-K02	Vérin hydraulique	1	20	G489-20005-0410	Boulon droit de la poignée	1
4	QG72500-K03	Assemblage de roue avant	2	21	1413-00020-204	Rondelle de blocage	2
5	QG48900-K04	Assemblage de galet arrière	2	22	G735-20005-0410	Ressort de torsion	1
6	G738-00001-0040	Prise de la poignée	1	23	1405-00016-031	Rondelle	2
7	G93M-00002-0410	Vis à tête creuse	2	24	1413-00016-204	Rondelle de blocage	2
8	1413-00006-204	Rondelle de blocage	2	25	G694-32003-0410	Butée du ressort	1
9	G620-55001R9040	Protection en mousse	1	26	1529-40030-031	Tige de retenue	1
10	QG86308-K05	Assemblage de la poignée	1	27	G863-83000-0000	Assemblage de la soupape de surpression	1
11	G62S-03300-200	Vis de l'évent	1	28	G880-10003-0420	Goupille de retenue	1
12	G880-20007-0410	Ressort de rappel	2	29	G863-55001-1000	Manchon de poignée	1
13	1413-00010-204	Rondelle de blocage	1	30	G863-20001-0002	Plaque de couverture	
14	G489-40006-0000	Boulon de la poignée	1	31	G880-20006-000	Coussinet	2
15	G735-40003-0410	Goupille de la base de la poignée	1	32	1305-00016-031	Écrou	2
16	G735-40005-0410	Cylindre creux	1	**	QG86308-K00	Trousse de joints (Pièces de a à q)	1
17	1433-00012-204	Circlip	1	-	29023B-M0	Manuel	-
				-	29023B-L0	Étiquette	-

**Contenu de la trousse de réparation :

Pièce	Description	Qté
A	Joint torique	1
B	Joint torique	2
C	Anneau de rechange	1
D	Joint en coupelle	1
E	Anneau de rechange	1
F	Joint torique	1
G	Rondelle en métal	1
H	Rondelle de rechange	1
I	Joint torique	2

Pièce	Description	Qté
J	Protection de palier	1
K	Rondelle de rechange	2
L	Joint pour huile	2
M	Joint torique	1
N	Joint torique	1
O	Rondelle de rechange	1
P	Joint torique	1
Q	Rondelle de rechange	1

(**) Il faut des habiletés, des connaissances et de l'équipement spéciaux pour remplacer ces pièces. Seulement un centre de réparation autorisé peut réparer ou remplacer ces pièces.

GARANTIE LIMITÉE DE 1 AN

Pendant une période d'un (1) an, à partir de la date d'achat, **SFA Companies** réparera ou remplacera, à sa discrétion, sans frais, tous ses produits qui, utilisés dans des conditions normales, sont défectueux à cause d'un défaut de matériel ou de fabrication. Cette garantie limitée est le seul recours du consommateur.

Pour bénéficier du service offert par la garantie, il faut retourner le produit couvert par celle-ci, port payé, à **SFA Companies** Warranty Service Department, 10939 N. Pomona Ave., Kansas City, MO 64153, États-Unis.

Sauf dans les cas où les limitations et les exclusions décrites dans ce paragraphe sont spécifiquement interdites par la loi : (1) LE SEUL RECOURS DU CONSOMMATEUR EST DE FAIRE RÉPARER OU REMPLACER LES PRODUITS DÉFECTUEUX COMME DÉCRIT CI-DESSUS; (2) **SFA COMPANIES** NE SERA PAS TENUE RESPONSABLE DES DOMMAGES CONSÉCUTIFS OU INDIRECTS OU DE PERTES QUELCONQUES; (3) TOUTE GARANTIE IMPLICITE, CE QUI INCLUT SANS LIMITATION LES GARANTIES IMPLICITES DE COMMERCIALITÉ ET D'ADAPTATION À UN USAGE PARTICULIER, SERA LIMITÉE À UN AN, À DÉFAUT DE QUOI LA RÉPARATION, LE REMPLACEMENT OU LE REMBOURSEMENT, SELON CETTE GARANTIE EXPRESSE LIMITÉE, CONSTITUE LE SEUL RECOURS DU CLIENT, ET REMPLACE TOUTE AUTRE GARANTIE, IMPLICITE OU EXPRESSE; (4) TOUTE MODIFICATION, ALTÉRATION, UTILISATION ABUSIVE OU NON AUTORISÉE OU DÉCORATION ORNEMENTALE ANNULE CETTE GARANTIE ET N'EST PAS COUVERTE PAR CELLE-CI.

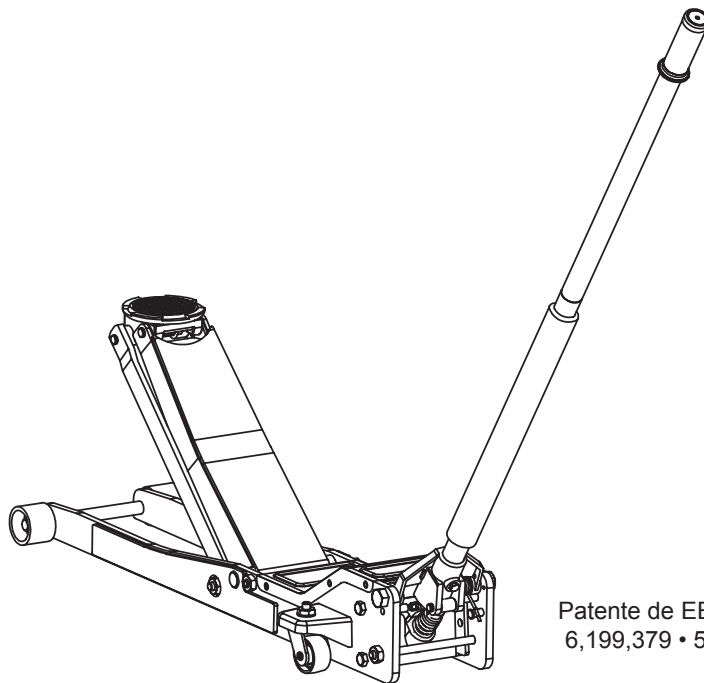
Certaines provinces et certains États ne permettent pas de limiter la durée d'une garantie implicite et il est donc possible que la limitation décrite ci-dessus ne s'applique pas. Certaines provinces et certains États ne permettent pas d'exclure ou de limiter les dommages consécutifs ou indirects et il est donc possible que la limitation ou l'exclusion mentionnée ci-dessus ne s'applique pas. Cette garantie vous confère des droits particuliers et il est aussi possible que vous puissiez jouir d'autres droits qui varient d'une province à l'autre et d'un État à l'autre.

OMEGALIFT™ EQUIPMENT

Gato de servicio MagicLift™ (bajo perfil)

Modelo
29023B

Capacidad
2 toneladas (4000 libras)



Patente de EE. UU. N.º
6,199,379 • 5,946,912



Este es el símbolo de alerta de seguridad. Se usa para alertar sobre peligros potenciales de lesiones personales. Obedezca todos los mensajes de seguridad que tengan este símbolo, para evitar posibles lesiones personales o la muerte.

! ADVERTENCIA



*Para evitar lesiones por opresión y otras lesiones:
NUNCA trabaje sobre, debajo o alrededor de una carga que solamente esté apoyada en un gato hidráulico. SIEMPRE use un par idéntico de soportes para gato de capacidad nominal adecuada.*

SFA Companies
<http://www.omegalift.com>

Lea este manual y respete todas las reglas de seguridad y las instrucciones de funcionamiento antes de usar este producto.

INFORMACIÓN GENERAL Y DE SEGURIDAD

Conserve estas instrucciones. Para su seguridad, lea, comprenda y siga la información que viene con este dispositivo antes de su uso. El propietario u operador debe tener conocimientos sobre el dispositivo, sus características operativas y las instrucciones para un funcionamiento seguro antes de utilizar el equipo. El propietario u operador debe tener presente que el uso y la reparación de este producto podrían requerir habilidades y conocimientos especiales. Es preciso leer y analizar las instrucciones y la información de seguridad con el operador, en su lengua materna, a fin de asegurarse de que el operador comprenda su contenido antes de recibir autorización para el uso de este equipo. Si tiene dudas sobre el uso seguro y adecuado de este dispositivo, proceda a sacarlo de servicio de inmediato.

Inspeccione el dispositivo antes de cada uso. No use el dispositivo si presenta anomalías, como grietas en la soldadura, o piezas dañadas, flojas o faltantes. Debe sacar de servicio todo equipo que presente daños, de la naturaleza que fueren, esté gastado o funcione mal hasta su reparación. Si tiene la sospecha o la certeza de que el equipo fue sometido a una carga o sufrió un impacto anormal, interrumpa el uso de inmediato hasta que sea controlado por un centro de reparación autorizado por la fábrica (comuníquese con el distribuidor o fabricante para obtener una lista de los centros de reparación autorizados). Se recomienda realizar una inspección anual a cargo de un centro de reparaciones autorizado. Las etiquetas y los manuales del operador están disponibles por parte del fabricante.

DESCRIPCIÓN DEL PRODUCTO

Los gatos hidráulicos de servicio están diseñados para levantar, no soportar, un extremo del vehículo. Inmediatamente después del levantamiento, las cargas deben apoyarse en un par idéntico de soportes para gato de capacidad nominal adecuada. Los gatos de servicio MagicLift™ tienen una característica única que ofrece elevaciones rápidas y sin carga en el punto de levantamiento; las elevaciones se realizan en incrementos de 1/4" ~ 3/4" (6,35 mm a 19,05 mm).

⚠ ADVERTENCIA: *Nunca use un gato hidráulico como dispositivo independiente. Luego de levantar el vehículo, apoye inmediatamente el vehículo elevado en un par idéntico de soportes para gato adecuados.*

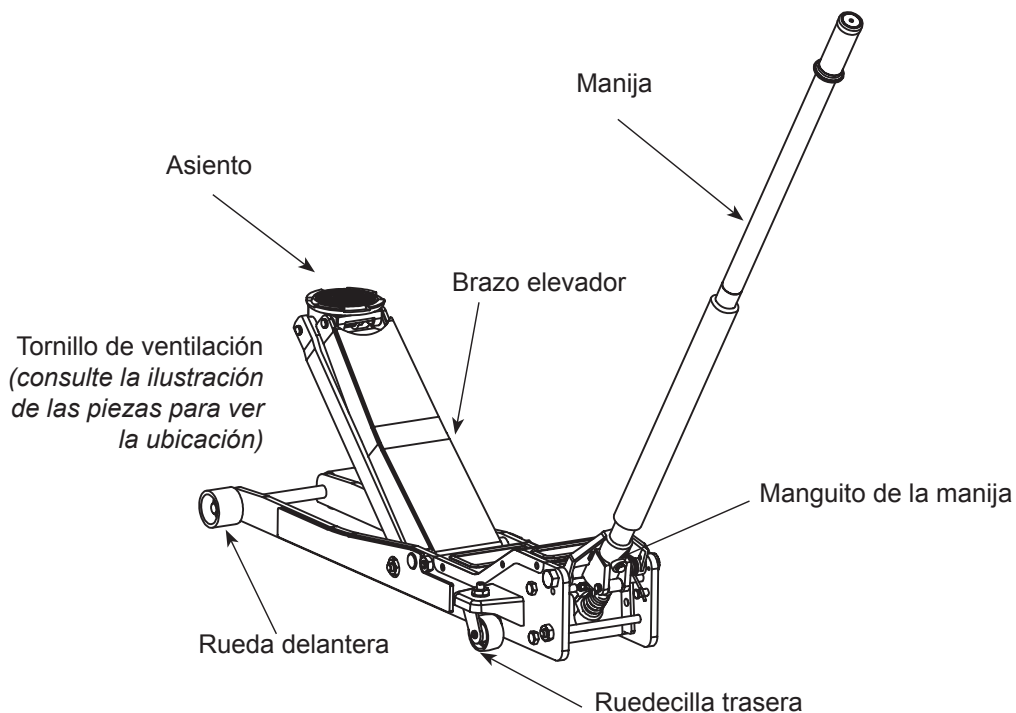


Figura 1: Nomenclatura del gato de servicio

⚠️ ADVERTENCIA

- Estudie, comprenda y siga todas las instrucciones antes de poner en funcionamiento este dispositivo.
- No exceda la capacidad nominal.
- Utilícelo únicamente sobre superficies duras y uniformes capaces de soportar la carga.
- Es solo un dispositivo para levantar cargas. Inmediatamente después de levantar el vehículo, utilice los soportes adecuados.
- No mueva ni deslice el vehículo mientras esté en el gato.
- Use solamente las áreas del vehículo especificadas por el fabricante del vehículo.
- No deben hacerse modificaciones a este producto.
- Si no se respetan estas indicaciones, podrían producirse lesiones personales o daños a la propiedad.

⚠️ ADVERTENCIA



Para evitar lesiones por opresión y otras lesiones:

- Nunca trabaje sobre, debajo o alrededor de una carga que solamente esté apoyada en un gato hidráulico.
- Siempre use un par idéntico de soportes para gato de capacidad nominal adecuada.
- Bloquee cada rueda sin elevar en ambas direcciones.
- No utilice este dispositivo para levantar, nivelar, bajar, apoyar ni mover una casa, casa rodante, remolque de viaje, camioneta "camper" u otra estructura de construcción.
- Cuando utilice este equipo, procure estar atento y sobrio. No use el equipo si está bajo los efectos de drogas o bebidas alcohólicas.

ESPECIFICACIONES

Modelo	Capacidad	Tamaño del gato (L x P x A)	Altura mín.	Altura máx.
29023B	2 toneladas (4000 libras)	42-1/2" x 13-3/4" x 7" (107,95 cm x 34,93 cm x 17,78 cm)	2-1/2" (6,35 cm)	20" (50,8 cm)

PREPARACIÓN

Ensamblaje

1. Instale la manija de dos piezas con el perno provisto.
2. Inserte la manija en la horquilla de la manija. Ajuste el perno en la horquilla de la manija para evitar que la manija se salga accidentalmente mientras está en uso.

⚠️ ADVERTENCIA: No utilice la manija para levantar o transportar el gato, ya que podría desprenderse y provocar la caída del gato, además de posibles lesiones y daños en la propiedad.

Antes del uso

1. Verifique que el producto y la aplicación sean compatibles; si tiene dudas, llame al Servicio técnico de Omega al (888) 332-6419.
2. Antes de usar este producto, lea todo el manual del operador; procure familiarizarse en forma completa con el producto y sus componentes, y reconocer los peligros asociados a su uso.
3. Para familiarizarse con el funcionamiento básico, ubique y gire la válvula de liberación (manija):
 - a. A la derecha hasta que sienta una resistencia firme para continuar girando. Esta es la posición 'CERRADO' de la válvula de liberación que se usa para elevar el asiento.
 - b. A la izquierda, pero no más de 1/2 giro con respecto a la posición de cerrado. Esta es la posición 'ABIERTO' de la válvula de liberación que se usa para bajar el asiento.
4. Una vez que el asiento haya descendido por completo y la válvula de liberación esté cerrada, bombee la manija de funcionamiento. Si el brazo elevador responde de inmediato, el gato está listo para ser usado. Si el gato no responde, siga el procedimiento de la sección **Purgado/descarga del aire atrapado** a continuación.
5. Asegúrese de que el gato se desplace libremente. Antes de poner el gato en servicio, suba y baje el asiento sin carga a lo largo de la distancia de elevación para asegurarse de que la bomba funcione sin dificultades. Reemplace las piezas y los conjuntos desgastados o dañados solo con piezas de repuesto autorizadas de Omega.

Purgado/descarga del aire atrapado


Coloque la válvula de liberación en la posición ABIERTO (paso 3b. anterior) y baje el asiento en forma completa; luego, ubique y retire el tapón/tornillo de llenado de aceite. Bombee la manija de 6 a 8 recorridos completos. Esto ayudará a liberar el aire presurizado que pudiera estar atrapado dentro del depósito. Verifique el nivel de aceite y vuelva a colocar el tornillo/tapón de llenado de aceite.

FUNCIONAMIENTO

Elevación

1. Siga las pautas recomendadas por el fabricante del vehículo para la elevación. Accione el freno de emergencia y coloque calzos en todas las ruedas sin elevar, en ambas direcciones, para evitar cualquier movimiento accidental del vehículo.
2. Cierre la válvula de liberación; para hacerlo, gire la manija a la derecha hasta que sienta una resistencia firme.
3. Consulte el manual del propietario del fabricante del vehículo para ubicar los puntos de elevación en el vehículo. Centre el asiento del gato debajo del punto de elevación.
4. Bombee la manija hasta que toque el punto de elevación. Para la elevación, siga bombeando hasta que la carga alcance la altura deseada.
5. Transfiera la carga **inmediatamente** a los soportes para gato de capacidad nominal adecuada.

Descenso

 **ADVERTENCIA:** *Despeje el área de herramientas y operarios antes de bajar la carga. Abra lentamente la válvula de liberación. Cuanto más gire la manija a la izquierda, más rápido descenderá la carga. Mantenga el control de la carga en todo momento.*

1. Eleve la carga a una altura que permita despejar los soportes para gato.
2. Retire los soportes para gato.
3. Gire lentamente la manija a la izquierda, pero no más de 1/2 giro completo.
Si la carga no desciende:
 - a. Use un gato que funcione para elevar el vehículo a una altura que permita volver a instalar los soportes para gato.
 - b. Retire el gato dañado y, a continuación, los soportes para gato.
 - c. Use el gato que funciona para bajar el vehículo.
4. Luego de retirar el gato de la parte de abajo del vehículo, baje en forma completa el brazo para reducir la exposición al óxido y la contaminación.

MANTENIMIENTO

AVISO: *Use solo aceite para gatos hidráulicos de buena calidad. Evite mezclar diferentes tipos de líquidos y NUNCA use líquido de frenos, aceite de turbinas, líquido de transmisión, aceite de motor ni glicerina. El uso de un líquido inadecuado puede provocar fallas prematuras en el gato y posibles pérdidas de carga repentinas e inmediatas. Se recomienda el uso de aceite para gato hidráulico de alta calidad.*

Agregado de aceite

1. Una vez que el asiento haya descendido por completo, coloque el gato en posición vertical y a nivel. Retire el tornillo de ventilación.
2. Llène con aceite hasta ~3/16" (0,48 cm) por encima del cilindro interno, según se observa desde el orificio de llenado de aceite. Vuelva a colocar el tornillo de ventilación.

Cambio de aceite

Para lograr el mejor rendimiento y una vida útil más prolongada, cambie el suministro completo de líquido por lo menos una vez al año.

1. Una vez que el asiento haya descendido por completo, retire el tornillo de ventilación.
2. Coloque al gato de lado y descargue el líquido en un recipiente adecuado.

AVISO: *Deseche el líquido hidráulico conforme a las reglamentaciones ambientales locales.*

3. Llène con aceite hasta ~3/16" (0,48 cm) por encima del cilindro interno, según se observa desde el orificio de llenado de aceite. Vuelva a colocar el tornillo de ventilación.

Lubricación

La lubricación periódica con un aceite liviano en los puntos de giro, los ejes y las bisagras ayudará a evitar la corrosión y garantizará que los conjuntos de las ruedas, las ruedecillas y la bomba se muevan libremente. Lubrique el brazo elevador a través de los accesorios de engrase.

Limpieza

Verifique el pistón y el ariete de la bomba en busca de signos de oxidación o corrosión. Límpielos con un paño con aceite, según sea necesario.

AVISO: No use papel de lija ni materiales abrasivos en las superficies del ariete y el pistón de la bomba.

Almacenamiento

Cuando no lo utilice, guarde el gato con el asiento completamente bajo.

LOCALIZACIÓN Y SOLUCIÓN DE PROBLEMAS

Síntoma	Causas posibles	Medidas correctivas
El gato no levanta la carga	<ul style="list-style-type: none">• La válvula de liberación no está herméticamente cerrada• La carga es demasiado pesada	<ul style="list-style-type: none">• Asegúrese de que la válvula de liberación esté herméticamente cerrada• Piense en la posibilidad de usar un gato de mayor capacidad
El gato se eleva, pero no mantiene la presión	<ul style="list-style-type: none">• La válvula de liberación no está herméticamente cerrada• La unidad hidráulica no funciona correctamente	<ul style="list-style-type: none">• Asegúrese de que la válvula de liberación esté herméticamente cerrada• Interrumpa el uso y comuníquese con el servicio técnico de Omega
El gato no baja después de su descarga	<ul style="list-style-type: none">• El depósito está lleno en exceso• Los enlaces están atascados	<ul style="list-style-type: none">• Descargue el líquido hasta el nivel adecuado• Limpie y lubrique las piezas móviles• Inspeccionar por daños. Si lo encuentra, interrumpa el uso y comuníquese con el servicio técnico de Omega
La capacidad de elevación es deficiente	<ul style="list-style-type: none">• El nivel de líquido está bajo• La unidad hidráulica no funciona correctamente	<ul style="list-style-type: none">• Asegúrese de que el nivel de líquido sea el adecuado• Interrumpa el uso y comuníquese con el servicio técnico de Omega
La elevadora no se eleva al máximo de su capacidad	<ul style="list-style-type: none">• El nivel de líquido está bajo	<ul style="list-style-type: none">• Asegúrese de que el nivel de líquido sea el adecuado

PIEZAS DE REPUESTO

No todos los componentes del gato tienen reemplazo, pero se ilustran a modo de referencia práctica de la ubicación y la posición que ocupan en la secuencia del conjunto. Cuando realice el pedido de piezas, indique el número de modelo, el número de serie y la descripción de la pieza. Para obtener el precio vigente, comuníquese a: SFA Companies, 10939 N. Pomona Ave. Kansas City, MO 64153, EE. UU. Tel: (888) 332-6419; Fax: (816) 891-6599; Correo electrónico: sales@omegalift.com; Sitio web: <http://www.omegalift.com>

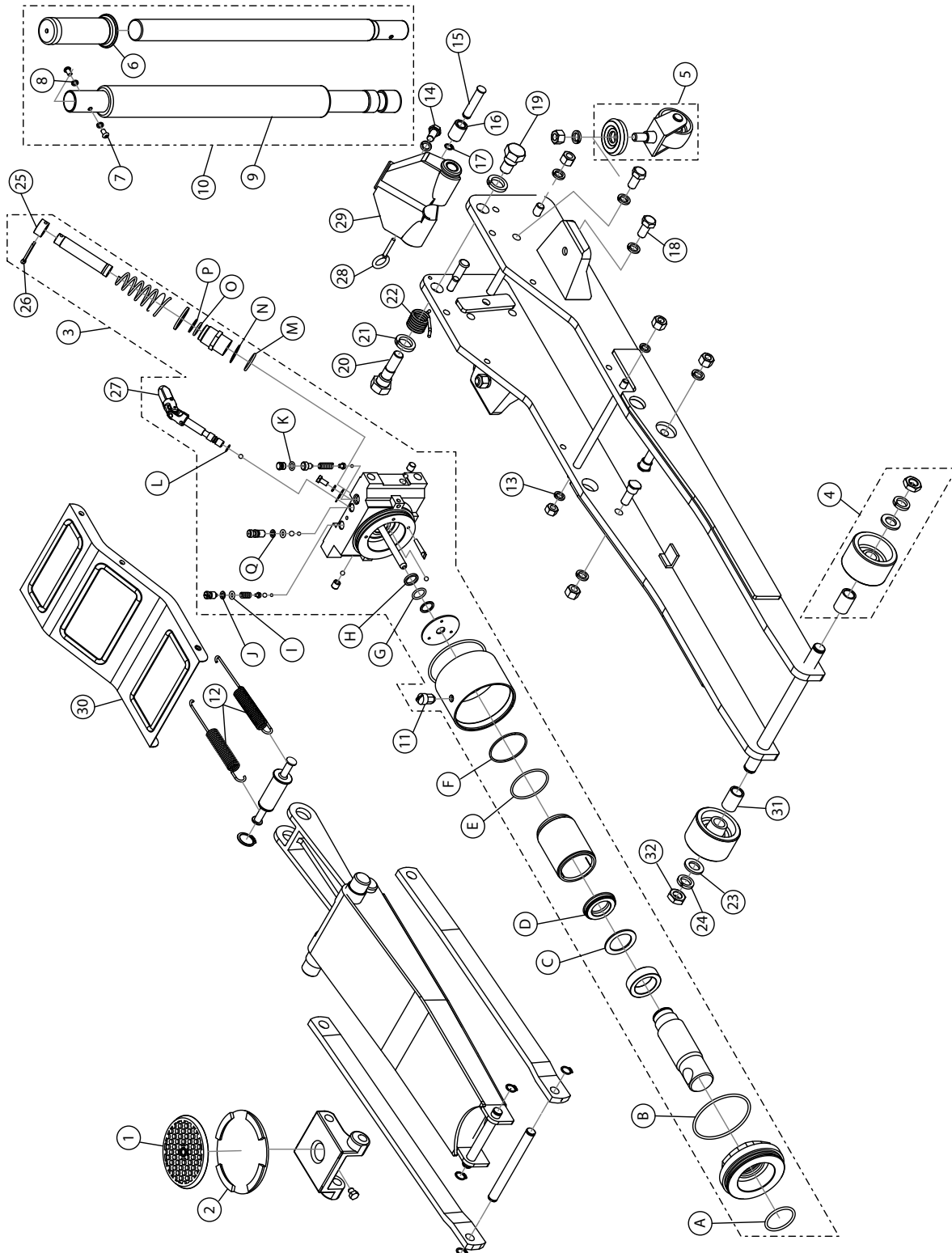


Figura 2: Ilustración de piezas de repuesto para el modelo 29023B

Elemento	N.º de pieza	Descripción	Cant.
1	G880-50005-0440	Almohadilla del asiento	1
2	G863-10003-0000	Asiento	1
3	QG86308-K02	Unidad hidráulica	1
4	QG72500-K03	Conjunto de la rueda delantera	2
5	QG48900-K04	Conjunto de la ruedecilla trasera	2
6	G738-00001-0040	Agarre de la manija	1
7	G93M-00002-0410	Tornillo de cabeza hueca	2
8	1413-00006-204	Arandela de seguridad	2
9	G620-55001R9040	Protección de espuma	1
10	QG86308-K05	Conjunto de la manija	1
11	G62S-03300-200	Tornillo de ventilación	1
12	G880-20007-0410	Resorte de retorno	2
13	1413-00010-204	Arandela de seguridad	1
14	G489-40006-0000	Perno de la manija	1
15	G735-40003-0410	Pasador de base de manija	1
16	G735-40005-0410	Rodillo	1
17	1433-00012-204	Anillo a presión	1
18	G880-20010-0410	Tornillo de fijación de la unidad hidráulica	4
19	G489-20007-0410	Perno de la manija izquierda	1
20	G489-20005-0410	Perno de la manija derecha	1
21	1413-00020-204	Arandela de seguridad	2
22	G735-20005-0410	Resorte de torsión	1
23	1405-00016-031	Arandela	2
24	1413-00016-204	Arandela de seguridad	2
25	G694-32003-0410	Tope resorte	1
26	1529-40030-031	Retenedor	1
27	G863-83000-0000	Conjunto de la válvula de liberación	1
28	G880-10003-0420	Pasador de retención	1
29	G863-55001-1000	Manguito de manija	1
30	G863-20001-0002	Cubierta	
31	G880-20006-000	Casquillo de cojinete	2
32	1305-00016-031	Tuerca	2
**	QG86308-K00	Kit de aislamiento (incluye ítems a-q)	1
-	29023B-M0	Manual	-
-	29023B-L0	Etiqueta	-

**Contenido del kit de reparación:

Elemento	Descripción	Cant.
A	Junta tórica	1
B	Junta tórica	2
C	Anillo de respaldo	1
D	Copa en U	1
E	Anillo de respaldo	1
F	Junta tórica	1
G	Arandela, metal	1
H	Arandela de respaldo	1
I	Junta tórica	2

Elemento	Descripción	Cant.
J	Cubierta de buje	1
K	Arandela de respaldo	2
L	Sello de aceite	2
M	Junta tórica	1
N	Junta tórica	1
O	Arandela de respaldo	1
P	Junta tórica	1
Q	Arandela de respaldo	1

(**) El reemplazo requiere habilidades, conocimiento y equipo especiales. Solo un centro de servicio autorizado puede realizar la reparación o el reemplazo de estos elementos.

GARANTÍA LIMITADA DE UN AÑO

Por el período de un (1) año desde la fecha de compra, **SFA Companies** reparará o reemplazará, a su discreción, sin costo alguno, cualquier producto que presente fallas debido a defectos de materiales o mano de obra bajo condiciones normales de uso. Esta garantía limitada es un recurso exclusivo del consumidor.

El cumplimiento de toda obligación en virtud de esta garantía puede obtenerse con el envío del producto en garantía, con flete abonado en origen, a **SFA Companies** Warranty Service Department, 10939 N. Pomona Ave., Kansas City, MO 64153.

Salvo que tales limitaciones y exclusiones estén específicamente prohibidas por las leyes vigentes, (1) EL ÚNICO Y EXCLUSIVO RECURSO DEL CONSUMIDOR SERÁ LA REPARACIÓN O EL REEMPLAZO DE LOS PRODUCTOS DEFECTUOSOS, COMO SE DETALLA ARRIBA. (2) **SFA COMPANIES** NO SERÁ RESPONSABLE, EN NINGÚN CASO, POR DAÑOS O PÉRDIDAS EMERGENTES O INCIDENTALES. (3) TODA GARANTÍA IMPLÍCITA, LO QUE INCLUYE, ENTRE OTRAS, LAS GARANTÍAS IMPLÍCITAS DE COMERCIALIZACIÓN Y APTITUD PARA FINES ESPECÍFICOS, ESTARÁ LIMITADA A UN AÑO; DE OTRO MODO, LA REPARACIÓN, EL REEMPLAZO O LA DEVOLUCIÓN DE DINERO CONFORME A ESTA GARANTÍA LIMITADA EXPRESA SERÁ EL EXCLUSIVO RECURSO DEL CONSUMIDOR, Y SE OFRECE EN LUGAR DE CUALQUIER OTRA GARANTÍA, EXPRESA O IMPLÍCITA. (4) CUALQUIER MODIFICACIÓN, ALTERACIÓN, USO INDEBIDO, SERVICIO NO AUTORIZADO O DISEÑO ORNAMENTAL ANULARÁ ESTA GARANTÍA Y NO ESTARÁ CUBIERTO POR ESTA GARANTÍA.

Algunos estados no permiten la limitación de la duración de las garantías implícitas, por lo que las limitaciones anteriores pueden no aplicarse en su caso. Algunos estados no permiten excluir o limitar los daños emergentes o incidentales, por lo tanto esta limitación o exclusión puede no ser aplicable en su caso. Esta garantía le otorga derechos legales específicos. Usted puede tener además otros derechos que varían de un estado a otro.