

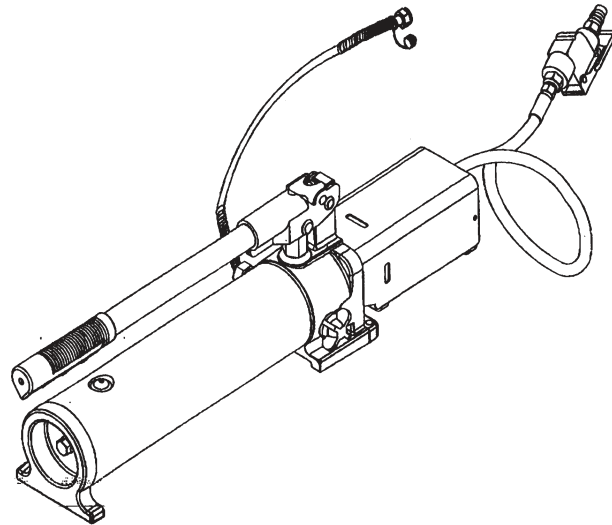
Operating Instructions & Parts Manual



Air/Lever Actuated Hand Pump

Model
55101

Capacity
10,000 PSI



This is the safety alert symbol. It is used to alert you to potential personal injury hazards. Obey all safety messages that follow this symbol to avoid possible injury or death.



WARNING

To avoid **crushing and related injuries**:



NEVER work on, under or around a load supported only by a hydraulic jack. **Immediately** transfer the load to an appropriate work station.

SFA Companies

<http://www.omegalift.com>

Read this manual and follow all the Safety Rules and Operating Instructions before using this product.

Printed in Taiwan
55101-M0_062013

SAFETY and GENERAL INFORMATION

Save these instructions. For your safety, read, understand, and follow the information provided with and on this jack before using. The owner and operator of this equipment shall have an understanding of this jack and safe operating procedures before attempting to use. The owner and operator shall be aware that use and repair of this product may require special skills and knowledge. Instructions and safety information shall be conveyed in the operator's native language before use of this jack is authorized. If any doubt exists as to the safe and proper use of this jack, remove from service immediately.

Inspect before each use. Do not use if broken, bent, cracked or damaged parts are noted. Any jack that appears damaged in any way, or operates abnormally shall be removed from service immediately. If the jack has been or suspected to have been subjected to a shock load (a load dropped suddenly, unexpectedly upon it), immediately discontinue use until jack has been checked by a factory authorized service center (contact distributor or manufacturer for list of authorized service centers). It is recommended that an annual inspection be done by qualified personnel. Labels and Operator's Manuals are available from manufacturer.

PRODUCT DESCRIPTION

Omega Air / Lever Actuated Hand Pump is designed to be used in conjunction with components of the Omega Body Repair / Porta Power Kits. Pumps are rated from 8,000 to 10,000 PSI.



WARNING: When ram and extension tubes and/or offset attachments are, the rated capacity is always reduced by 50% for each tube or attachment connected.

SPECIFICATIONS

Model	Capacity	Pump Size (L X W X H)	Air Pressure	Operating Force
55101	10,000 PSI	22" x 6 1/8" x 6 5/8"	90 - 175 PSI	145 Lbs.

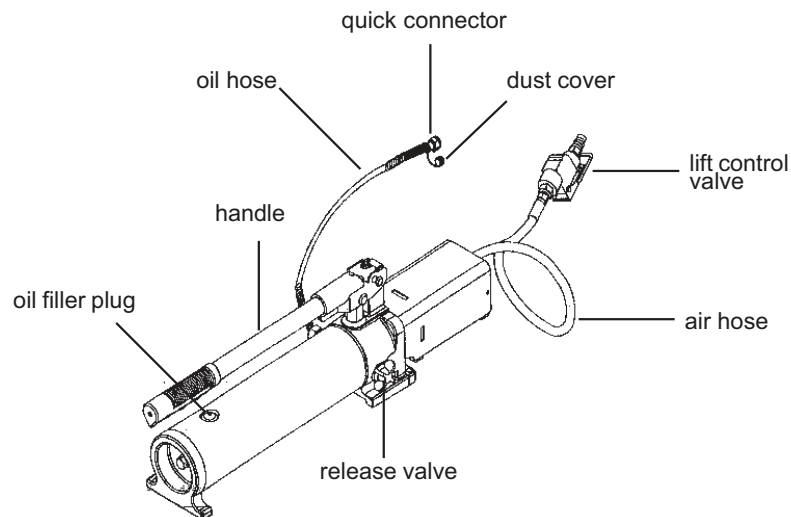


Figure 1 - Model 55101 Nomenclature

BEFORE USE

Use Fig 1 as reference.

1. Ensure that product and application are compatible.
2. Check to ensure that all parts of your pump are included (see illustration and parts list).
3. Carefully remove the dust caps and plugs from hose coupler and ram coupler.
4. Connect hose coupler to accessory coupler, ensure that there are no fluid leaks.
5. Locate and open release valve. Pump handle a few strokes to purge air from system. Close release valve and pump handle until ram is fully extended, then open release valve until ram has fully retracted.

WARNING



- Study, understand, and follow all instructions provided with and on this device before use.
- All WARNING statements must be carefully observed to help prevent personal injury.
- No alteration shall be made to this device.
- Always wear protective gear when operating hydraulic equipment.
- Keep hydraulic equipment away from flames and heat. Hydraulic fluid can ignite and burn. Do not operate if leaks are detected.
- **Crush Hazard.** Keep hands and feet away from loading area. Avoid pinch points or crush points that can be created by the load, cylinder, or any equipment of system.
- To avoid crushing and related injuries: NEVER work on, under or around a lifted load before it is properly supported by appropriate mechanical means. Never rely on hydraulic pressure alone to support load.

HYDRAULIC PUMPS

- The user must be a qualified operator familiar with the correct operation, maintenance, and use of pumps. Lack of knowledge in any of these areas can lead to personal injury.
- Do not exceed rated capacity of the pump or any equipment in the system.
- Never attempt to lift a load weighing more than the capacity of the cylinder.
- Burst hazard exists if hose or connection pressure exceeds rated pressure.
- Inspect pump, cylinder, hoses and connections before each use to prevent unsafe conditions from developing. Do not use if they are damaged, altered or in poor condition. Do not operate the system with bent or damaged coupler or damaged threads.
- Never hold or stand directly in line with any hydraulic connections while pressurizing.
- Use gauge or other load measuring instrument to verify load.
- Never attempt to disconnect hydraulic connections under pressure. Release all line pressure before disconnecting hoses.
- Do not subject the pump and its components to shock loads.

- Use only approved accessories and approved hydraulic fluid.
- Never attach ANY component not authorized by manufacturer.
- Always ensure that the chosen application is stable to work on and around.
- Do not connect to application which can return more oil to the reservoir than the pump reservoir can hold.
- Do not connect pump to hydraulic system powered by another pump.
- This device is not suitable for use as support device! As the system load is lifted, use blocking and cribbing to guard against a falling load.
- All personnel must be clear before lowering load or depressurizing the system.
- Never try to disassemble a hydraulic cylinder, refer repairs to qualified, authorized personnel.

HYDRAULIC HOSES & FLUID TRANSMISSION LINES

- Avoid short runs of straight line tubing. Straight line runs do not provide for expansion and contraction due to pressure and/or temperature changes.
- Reduce stress in tube lines. Long tubing runs should be supported by brackets or clips. Before operating the pump, tighten all hose connections with proper tools. Do not overtighten. Connections should only be tightened securely and leak-free. Overtightening can cause premature thread failure or high pressure fittings to burst.
- Should a hydraulic hose ever rupture, burst or need to be disconnected, immediately shut off the pump and release all pressure. Never attempt to grasp a leaking pressurized hose with your hands. The force of escaping hydraulic fluid can inflict injury.
- Do not subject the hose to potential hazard such as fire, sharp objects, extreme heat or cold, or heavy impact.
- Do not allow the hose to kink, twist, curl, crush, cut or bend so tightly that the fluid flow within the hose is blocked or reduced. Periodically inspect the hose for wear.
- Do not pull, position or move setup by the hose.
- Hose material and coupler seals must be compatible with hydraulic fluid used. Hoses also must not come in contact with corrosive materials such as battery acid, creosote-impregnated objects and wet paint. Never paint a coupler or hose.
- FAILURE TO HEED THESE WARNINGS MAY RESULT IN PERSONAL INJURY AS WELL AS PROPERTY DAMAGE.

Bleeding/Venting Trapped Air

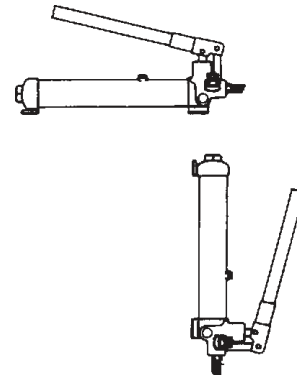
With the Release Valve in the OPEN position and with Ram Plunger fully lowered, locate and remove the Oil Filler Plug/Screw. Insert the Pump Handle into the Handle Sleeve; then pump 6 to 8 full strokes. Slowly squeeze lift control valve for 6 to 8 seconds. This will help release any pressurized air which may be trapped within the reservoir. Oil level should be even with the bottom of the oil filler hole. Reinstall the Oil Filler Plug/Screw.

OPERATION



WARNING: ALWAYS monitor pressure, load or position using suitable equipment. Pressure may be monitored by means of an optional manifold and gauge. Load may be monitored by means of a load cell and digital indicator. Correct application position can only be determined by the operator of the equipment.

1. Connect the pump to suitable application.
2. Ensure the oil level is correct and the system fittings and connections are leak free before operating the pump.
3. Pump may be used in horizontal and vertical position as illustrated in Figure 2.
4. Close release valve by turning it clockwise. Finger tight ONLY. Using tools on release valve can damage it and cause the pump to malfunction.
5. Pump handle or squeeze lift control valve until desired pressure, load or position is reached.
6. Pressure will maintain until the release valve is opened.
7. To retract application, turn the release valve knob slowly counterclockwise (never more than 2 full turns).



WARNING: NEVER operate pump with release valve closed and disconnected from application. If operated in this condition, the hose and connections become pressurized. This increases burst hazard. Damage may occur to pump and its components.

Figure 2 - Horizontal and Vertical Position.

MAINTENANCE

1. Inspect hoses and connections daily. Replace damaged components immediately with Omega hydraulics replacement parts only.
2. Tighten connections as needed. Use pipe thread sealing compound when servicing connections.
3. Use only good quality hydraulic fluid. We recommend Premium hydraulic jack oil or equivalent. **Never** use brake fluid, transmission fluid, turbine oil, motor oil, alcohol, glycerin etc. Use of other than good quality hydraulic oil will void warranty and damage the pump, hose, and application.

Adding Hydraulic Fluid

1. Depressurize and disconnect hydraulic hose from application.
2. With pump in its upright, horizontal position, remove vented oil filler plug/screw located on top of the reservoir.
3. Use a small funnel to fill reservoir to within 1/4" (6 mm) of the opening.
4. Wipe up any spilled fluid and reinstall the vented oil filler plug/screw.

Changing Hydraulic Fluid

For best results, change fluid once a year.

1. With pump in its upright, horizontal position, remove vented oil filler plug/screw located on top of the reservoir, then pour used fluid into a sealable container.
2. Dispose of fluid in accordance with local regulations.
3. Fill with a good quality hydraulic jack oil as recommended above. Reinstall vented oil filler plug/screw.

Lubrication

Use a light machine oil to lubricate pivot points, hinges etc.

Storage

1. When not in use, depressurize and disconnect hoses from application.
2. Wipe clean, thoroughly
3. Store in clean, dry environment. Avoid temperature extremes. Lock handle into position using the spring loaded locking pin mechanism.
4. Shield pump with a protective cover.

REPLACEMENT PARTS

Not all components of the jack are replacement items, but are illustrated as a convenient reference of location and position in the assembly sequence. When ordering parts, please give the Model number and parts description. Call or write for current pricing: SFA Companies 10939 N. Pomona Ave. Kansas City, MO 64153, U.S.A. E-Mail: sales@omegalift.com Tel: (888) 332-6419 Fax: (816) 891-6599 Website: http://www.omegalift.com

Replacement Parts Illustration for Models 55101:

Item No.	Part No.	Description	Qty.
1	505-9-0092-207	Oil Filler Plug	1
2	H17-6-1803-100	Reservoir	1
3	H17-4-1910-109	Swivel Adapter Assy.	1
4	H18-6-2112-105	Handle Grip	1
5	H17-3-2100-103	Handle	1
6	A20-4-1500-106	Cartridge Assy.	1
7	H17-3-1340-108	Pump Cylinder Assy.	1
8	426-3-1301-203	Release Valve Assy.	1
9	A19-4-2050-101	Air Switch Hose Assy.	1
10	H17-3-2001-108	Air Motor Assy.	1
11	428-4-3100-102	Hose Assy.	1
12	434-3-3301-106	Male Coupler	1
13	H17-3-9901-102	Repair Kit	1

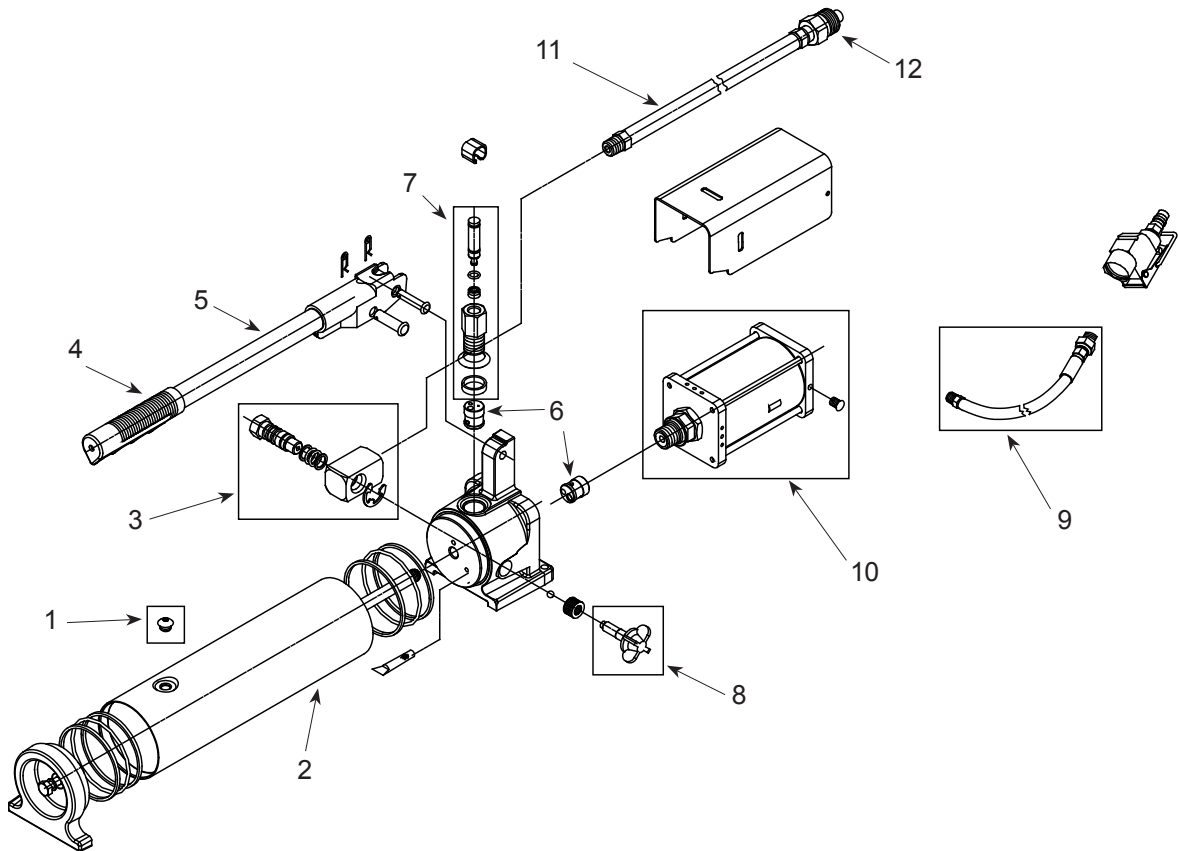


Figure 3 - Replacement Parts Illustration for Models 55101

TROUBLESHOOTING GUIDE

The following information is intended as an aid in determining if problem exists. Pumps should be repaired only by authorized Omega Service Center. For repair service, contact service center in your area.

Symptom	Possible Causes	Corrective Action
Erratic application action	<ul style="list-style-type: none"> • Air in the system. • External leak. • Internal hydraulic leak. 	<ul style="list-style-type: none"> • Follow Bleeding/Venting Instructions, Pg. 4. • Tighten all connections. • Contact service center.
Application does not extend, move or respond to pressurized fluid	<ul style="list-style-type: none"> • Overload condition. • Release valve not closed. • Loose couplers/connections. • Faulty couplers/connections. • Pump malfunction. 	<ul style="list-style-type: none"> • Remedy overload condition. • Ensure release valve closed. • Tighten couplers/connections. • Replace couplers/connections. • Contact service center.
Application responds to pressurized fluid, but system does not maintain pressure	<ul style="list-style-type: none"> • Overload condition. • Release valve not closed. • Pump or valve malfunction. • Application/connection leaking. 	<ul style="list-style-type: none"> • Remedy overload condition. • Ensure release valve closed. • Contact Service Center. • Replace application/connection.
Application responds slower than normal	<ul style="list-style-type: none"> • Loose connection or coupler. • Restricted hydraulic line or fitting. • Application/connection leaking. 	<ul style="list-style-type: none"> • Tighten connection or coupler. • Clean and replace if damaged. • Replace application/connection.
Application does not return fluid to pump (i.e. cylinder will not retract)	<ul style="list-style-type: none"> • Malfunctioning coupler, damaged application. • Reservoir overfilled 	<ul style="list-style-type: none"> • Secure load by other means. Open release valve, depressurize pump and hose, remove coupler and/or application, then renew or replace. • Secure load by other means. Open release valve, depressurize pump and hose, remove application, then drain fluid to proper level.
Poor performance	<ul style="list-style-type: none"> • Fluid level in pump is low. 	<ul style="list-style-type: none"> • Ensure proper fluid level.

ONE YEAR LIMITED WARRANTY

For a period of one (1) year from date of purchase, SFA Companies will repair or replace, at its option, without charge, any of its products which fails due to a defect in material or workmanship under normal usage. This limited warranty is a consumer's exclusive remedy.

Performance of any obligation under this warranty may be obtained by returning the warranted product, freight prepaid, to SFA Companies Warranty Service Department, 10939 N. Pomona Ave., Kansas City, MO 64153.

Except where such limitations and exclusions are specifically prohibited by applicable law, (1) THE CONSUMER'S SOLE AND EXCLUSIVE REMEDY SHALL BE THE REPAIR OR REPLACEMENT OF DEFECTIVE PRODUCTS AS DESCRIBED ABOVE. (2) SFA Companies SHALL NOT BE LIABLE FOR ANY CONSEQUENTIAL OR INCIDENTAL DAMAGE OR LOSS WHATSOEVER. (3) ANY IMPLIED WARRANTIES, INCLUDING WITHOUT LIMITATION THE IMPLIED WARRANTIES OF MERCHANTABILITY AND FITNESS FOR A PARTICULAR PURPOSE, SHALL BE LIMITED TO ONE YEAR, OTHERWISE THE REPAIR, REPLACEMENT OR REFUND AS PROVIDED UNDER THIS EXPRESS LIMITED WARRANTY IS THE EXCLUSIVE REMEDY OF THE CONSUMER, AND IS PROVIDED IN LIEU OF ALL OTHER WARRANTIES, EXPRESS OR IMPLIED. (4) ANY MODIFICATION, ALTERATION, ABUSE, UNAUTHORIZED SERVICE OR ORNAMENTAL DESIGN VOIDS THIS WARRANTY AND IS NOT COVERED BY THIS WARRANTY.

Some states do not allow limitations on how long an implied warranty lasts, so the above limitation may not apply to you. Some states do not allow the exclusion or limitation of incidental or consequential damages, so the above limitation or exclusion may not apply to you. This warranty gives you specific legal rights, and you may also have other rights, which vary from state to state.



SFA Companies
 10939 N. Pomona Ave. Kansas City, MO 64153
 888-332-6419
 sales@omegalift.com

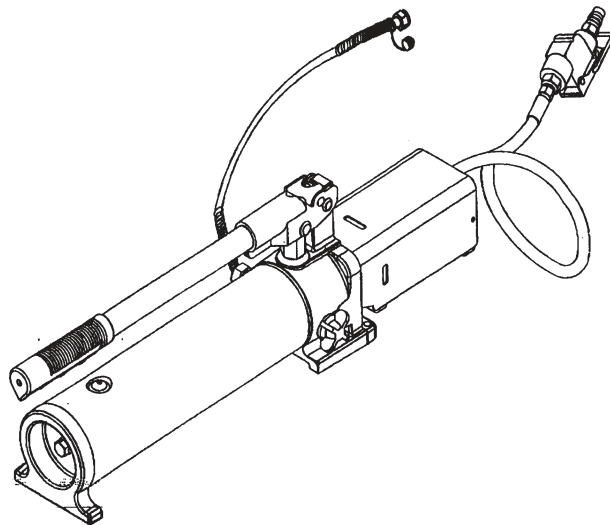
Manuel des consignes d'utilisation et des pièces



Pompe à main pneumatique

Modèle
55101

Capacité
68,9 MPa (10 000 lb/po²)



Voici le symbole signalant un danger pour la sécurité. Il est utilisé pour vous alerter des dangers potentiels de blessures.

Respectez tous les messages de sécurité qui suivent ce symbole afin d'éviter les blessures et la mort.



MISE EN GARDE

Pour éviter de vous faire écraser et de subir des blessures :



Ne travaillez **JAMAIS** autour d'une charge, en dessous d'elle ou sur celle-ci, si elle est supportée seulement par un cric hydraulique. Faites reposer la charge **immédiatement** sur un poste de travail approprié.

SFA Companies

<http://www.omegalift.com>.

Lisez ce manuel et observez toutes les consignes de sécurité et d'utilisation avant d'utiliser ce produit.

Imprimé à Taiwan
55101-M0_062013

INFORMATIONS GÉNÉRALES et INFORMATIONS RELATIVES À LA SÉCURITÉ

Conservez ces instructions. Pour votre sécurité, assurez-vous de lire, de bien comprendre et de respecter toutes les consignes fournies avec ce produit ou se trouvant sur celui-ci avant de l'utiliser. Le propriétaire, ainsi que l'utilisateur, doit comprendre le fonctionnement de ce produit et les consignes de sécurité associées à son utilisation avant de s'en servir. Ces personnes doivent aussi savoir que, pour utiliser ou réparer ce produit, il peut être nécessaire d'avoir des connaissances ou des habiletés spéciales. Avant que l'utilisation de ce produit ne soit autorisée, il faut faire connaître à l'opérateur, dans sa langue maternelle, les instructions et les informations relatives à la sécurité. S'il y a des doutes quant à la façon adéquate et sécuritaire de se servir de ce cric, il faut en cesser l'utilisation immédiatement.

Inspectez la pompe avant chaque utilisation. N'utilisez pas cet équipement s'il présente des pièces brisées, déformées, fissurées ou endommagées. Il faut immédiatement cesser l'utilisation d'un cric qui semble endommagé ou qui fonctionne de manière anormale. Si le cric a été soumis, ou semble avoir été soumis, à une surcharge d'impact (charge qui serait tombée accidentellement dessus), cessez immédiatement de l'utiliser et faites-le vérifier par un centre de réparation autorisé par l'usine (communiquez avec le distributeur ou le fabricant pour avoir une liste des endroits autorisés). Il est recommandé qu'un personnel qualifié inspecte l'appareil annuellement. Il est possible de se procurer d'autres étiquettes et d'autres manuels auprès du fabricant.

DESCRIPTION DU PRODUIT

La pompe à main pneumatique d'Omega est conçue pour être utilisée avec les ensembles Omega Body Repair/ Porta Power. Les pompes offrent une pression de 55,1 à 68,9 MPa (8 000 à 10 000 lb/po²)



MISE EN GARDE : La capacité nominale est réduite de 50 % pour chaque tube d'extension ou chaque accessoire excentré utilisé dans l'installation.

SPÉCIFICATIONS

Modèle	Capacité	Dimensions de la pompe (L x l x h)	Pression de l'air	Force exercée
55101	68,9 MPa (10 000 lb/po ²)	55,9 cm x 15,56 cm x 16,83 cm (22 po x 6-1/8 po x 6-5/8 po)	0,62 MPa à 1,21 MPa (90 à 175 lb/po ²)	65,8 kg (145 lb)

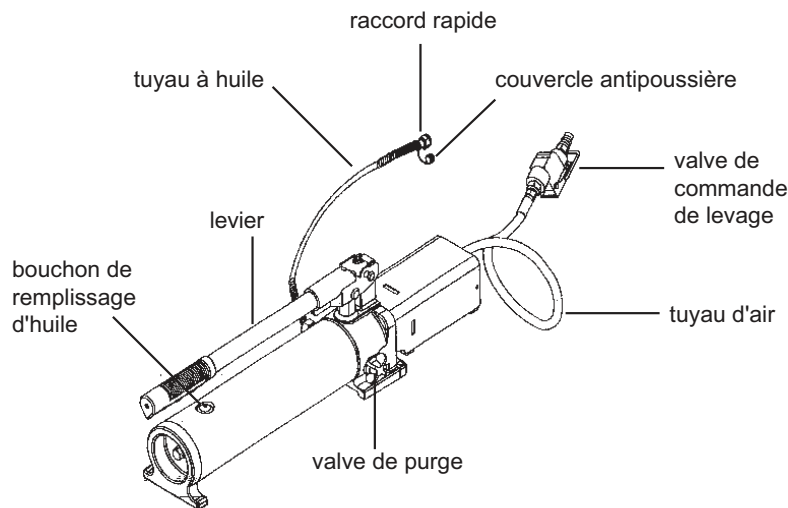


Figure 1 : Pièces du modèle 55101

AVANT L'UTILISATION

Utilisez la figure 1 comme image de référence pour faire l'assemblage.

1. Vérifiez que le produit et son utilisation sont compatibles.
2. Assurez-vous que toutes les pièces de votre pompe sont incluses (reportez-vous à l'illustration et à la liste des pièces).
3. Enlevez soigneusement les protecteurs et les bouchons antipoussière du raccord de tuyau et de celui du vérin.
4. Branchez le raccord de tuyau au raccord du vérin en vous assurant qu'il n'y a pas de fuites de liquide.
5. Trouvez et ouvrez la valve de purge. Actionnez le levier de la pompe à quelques reprises pour purger l'air du système. Fermez la valve et actionnez le levier de la pompe jusqu'à ce que le piston soit complètement sorti, puis ouvrez la valve de purge jusqu'à ce que le piston soit complètement rentré.

⚠ MISE EN GARDE



- Assurez-vous de lire, de bien comprendre et de suivre toutes les consignes fournies ou qui se trouvent sur l'appareil avant de l'utiliser.
- Tous les messages de MISE EN GARDE doivent être respectés afin de prévenir les blessures.
- Ne faites aucune modification à ce produit.
- Portez toujours de l'équipement de protection lorsque vous utilisez de l'équipement hydraulique.
- Maintenez l'équipement hydraulique à distance des flammes et de la chaleur. Un liquide hydraulique peut s'enflammer et brûler. Ne le faites pas fonctionner si vous détectez des fuites.
- **Danger d'écrasement.** Gardez les pieds et les mains éloignés de la zone de travail. Évitez les endroits où il y a des risques de se coincer ou de se faire écraser une partie du corps à cause de la charge, du vérin et de tout équipement du système.

• Pour éviter d'être écrasé et les blessures qui en résulteraient : Ne travaillez JAMAIS autour d'une charge, en dessous d'elle ou sur celle-ci avant qu'elle soit supportée adéquatement par un moyen mécanique. Ne vous servez jamais de la seule pression hydraulique pour soutenir la charge.

POMPES HYDRAULIQUES

- L'utilisateur doit être un opérateur qualifié qui s'est familiarisé avec le fonctionnement, l'utilisation adéquate et l'entretien des pompes. Le manque de connaissances dans l'un de ces domaines peut entraîner des blessures.
- Ne dépassez pas la pression nominale de la pompe ou de tout équipement du système.
- Ne tentez jamais de soulever une charge dont le poids est supérieur à la capacité du piston.
- Si la pression des tuyaux ou des branchements dépasse la pression nominale, cela entraîne des risques d'éclatement.
- Inspectez la pompe, le vérin, les tuyaux et les branchements avant chaque utilisation pour que les conditions dans lesquelles les appareils sont utilisés demeurent sécuritaires. Ne les utilisez pas s'ils sont endommagés, modifiés ou dans un piètre état. N'utilisez pas le système si un raccord est déformé ou endommagé ou si des filets sont endommagés.
- Ne tenez jamais de branchements hydrauliques et ne vous mettez jamais directement devant de tels branchements lors de la pressurisation.
- Utilisez un manomètre ou un autre instrument pour mesurer la charge afin de vérifier cette dernière.
- N'essayez jamais de débrancher un branchement hydraulique pressurisé. Dépressurisez complètement les tuyaux avant de les débrancher.
- Ne soumettez pas la pompe et ses composants à des charges d'impact.
- Utilisez seulement des accessoires et un liquide hydraulique approuvés.

- Ne raccordez JAMAIS un composant non approuvé par le fabricant.
- Assurez-vous toujours que l'équipement relié à la pompe est suffisamment stable pour travailler sur et autour de celui-ci.
- Ne reliez pas la pompe à un appareil pouvant renvoyer plus d'huile au réservoir de la pompe que ce que celui-ci peut contenir.
- Ne branchez pas la pompe à un système hydraulique alimenté par une autre pompe.
- Cet appareil n'est pas adéquat pour soutenir des charges. Lorsqu'une charge est soulevée, utilisez un sommier et des cales pour se protéger des chutes de charge.
- Assurez-vous que personne ne se trouve près du système ou d'une charge avant d'abaisser celle-ci ou de dépressuriser le système.
- N'essayez jamais de désassembler un vérin hydraulique. Faites faire les réparations par un personnel qualifié qui est autorisé à les faire.

TUYAUX HYDRAULIQUES ET TUYAUX DE TRANSPORT DE L'HUILE

- Évitez de relier des appareils avec de courts tuyaux droits. De tels tuyaux ne tolèrent pas les effets de l'expansion et de la contraction causés par des changements de pression ou de température.
- Réduisez les contraintes des tuyaux. Les longs tuyaux devraient être soutenus par des ferrures ou des attaches. Avant d'utiliser la pompe, serrez tous les branchements de tuyaux avec des outils adéquats. Ne les serrez pas trop. Les branchements devraient être serrés juste assez pour qu'il n'y ait pas de fuites et pour qu'ils soient bien fixés. Un trop grand serrage peut entraîner une usure prématurée des filets ou des éclatements de raccords là où la pression est très élevée.
- Si un tuyau hydraulique se brise ou éclate ou s'il faut en débrancher un, mettez la pompe hors service immédiatement et dépressurisez complètement le système. N'essayez jamais d'attraper avec vos mains un tuyau sous pression qui fuit. La force du fluide qui s'échappe peut causer des blessures.
- Évitez qu'un tuyau soit exposé à des dangers comme le feu, les arêtes coupantes, la chaleur et le froid extrêmes et les impacts forts.
- Faites en sorte que les tuyaux ne soient pas coupés, écrasés, entortillés ou pliés au point où l'écoulement du liquide est bloqué ou devient restreint. Inspectez périodiquement les tuyaux pour voir s'il y a de l'usure.
- Ne tirez pas, ne positionnez pas et ne déplacez pas le montage en tirant sur un tuyau.
- Le matériau des tuyaux et les joints des raccords doivent être compatibles avec le liquide hydraulique utilisé. Les tuyaux ne doivent pas entrer en contact avec des matières ou des matériaux corrosifs comme de l'acide sulfurique, des objets imprégnés de créosote et de la peinture qui n'est pas sèche. Ne peignez jamais un raccord ni un tuyau.
- LE NON-RESPECT DE CES MISES EN GARDE PEUT ENTRAÎNER DES BLESSURES ET DES DOMMAGES.

Purge de l'air emprisonné

Lorsque la valve de purge est à la position OUVERTE et que le vérin à piston plongeur est à son niveau minimal, localisez et enlevez le bouchon ou la vis de remplissage d'huile. Insérez le levier dans la douille de la poignée, puis actionnez le levier 6 à 8 fois. Ouvrez lentement la vanne de commande de levage de 6 à 8 secondes. Cela va faciliter la libération de tout air pressurisé pouvant être emprisonné dans le réservoir. Le niveau d'huile devrait se situer à la hauteur du fond du trou de remplissage d'huile. Remettez le bouchon ou la vis.

FONCTIONNEMENT



MISE EN GARDE : Effectuez toujours un suivi de la pression, de la charge ou de la position à l'aide d'équipement adéquat. Il est possible de faire un suivi de la pression en utilisant un collecteur et un manomètre optionnels. On peut faire de même avec la charge en utilisant un dynamomètre piézoélectrique et un indicateur numérique. La position correcte de l'équipement relié à la pompe peut seulement être déterminée par l'opérateur s'en servant.

1. Branchez la pompe à un appareil compatible.
2. Assurez-vous que le niveau d'huile est correct et qu'il n'y a pas de fuites dans les raccords et les branchements du système avant d'utiliser la pompe.
3. La pompe peut être utilisée en position horizontale ou verticale comme illustré à la figure 2.
4. Fermez la valve de purge en la tournant dans le sens horaire. Ne la serrez qu'avec vos doigts **UNIQUEMENT**. Utiliser des outils pour serrer la valve peut l'endommager et la rendre défectueuse.
5. Actionnez le levier de la pompe ou ouvrez la valve de commande de levage jusqu'à la pression, la charge ou la position désirée.
6. La pression va être maintenue jusqu'à ce que la valve de purge soit ouverte.
7. Pour libérer la pression, tournez lentement la valve dans le sens antihoraire (jamais plus de 2 tours complets).

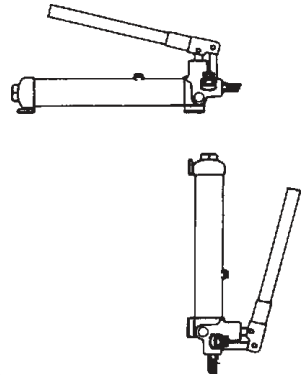


Figure 2 - Positions horizontale et verticale



MISE EN GARDE : Ne faites **JAMAIS** fonctionner la pompe lorsque la soupape est fermée et que la pompe n'est pas reliée à un appareil. Cela pressurise le tuyau et les branchements, ce qui augmente les risques d'éclatement. La pompe et ses composants peuvent alors être endommagés.

ENTRETIEN

1. Inspectez les tuyaux et les branchements quotidiennement. Remplacez les composants endommagés immédiatement avec des pièces hydrauliques Omega uniquement.
2. Serrez les raccords selon les besoins. Utilisez un scellant pour filets de tuyaux lors de l'entretien des branchements.
3. Utilisez seulement du liquide hydraulique de bonne qualité. Il est recommandé d'utiliser de l'huile hydraulique pour cric de première qualité. **N'utilisez JAMAIS** de liquide pour frein, d'huile de turbine, de liquide de transmission, d'huile moteur, d'alcool, de glycérine, etc. L'utilisation d'un fluide autre que de l'huile hydraulique va annuler la garantie et peut endommager la pompe, le tuyau et l'appareil auquel la pompe est reliée.

Ajouter un liquide hydraulique

1. Dépressurisez le tuyau hydraulique et débranchez-le de l'appareil auquel il est relié.
2. Lorsque la pompe est debout et en position horizontale, enlevez la vis de remplissage d'huile située sur le dessus du réservoir.
3. Utilisez un petit entonnoir pour remplir le réservoir jusqu'à ce que le niveau d'huile se trouve à une distance égale ou inférieure à 6 mm (1/4 po) par rapport à l'ouverture.
4. Nettoyez tout liquide renversé et remettez le bouchon du réservoir d'huile.

Changer le liquide hydraulique

Afin d'optimiser la performance, changez le liquide au moins une fois par année.

1. Lorsque la pompe est debout et en position horizontale, enlevez la vis de remplissage d'huile située sur le dessus du réservoir, puis videz l'huile usée dans un contenant pouvant être fermé hermétiquement.
2. Jetez le liquide en respectant la réglementation locale.
3. Mettez une huile hydraulique pour cric de bonne qualité selon les recommandations énoncées précédemment. Remettez le bouchon ou la vis de remplissage.

Lubrification

Utilisez une huile légère pour machine afin de lubrifier les points de pivotement, les charnières, etc.

Rangement

1. Lorsque la pompe n'est pas utilisée, libérez la pression et débranchez les tuyaux qui y sont raccordés.
2. Nettoyez la pompe avec un linge.
3. Rangez la pompe dans un endroit sec et propre. Évitez les températures extrêmes. Bloquez le levier à l'aide du mécanisme de verrouillage à ressort.
4. Protégez la pompe avec une couverture de protection.

PIÈCES DE RECHANGE

Cette illustration ne sert qu'à montrer l'emplacement des différents composants du cric et leur position afin de faciliter la procédure d'assemblage. Ce ne sont pas toutes ses pièces qui peuvent être remplacées. Lorsque vous commandez des pièces, veuillez fournir le numéro du modèle du cric et la description de la pièce. Pour connaître les prix actuels, appelez-nous ou écrivez-nous : SFA Companies 10939 N. Pomona Ave. Kansas City, MO 64153, É.-U., Courriel : sales@omegalift.com Tél. : 1 888 332-6419 Téléc. : 1 816 891-6599, site Web : <http://www.omegalift.com>.

N° d'article	N° de pièce	Description	Qté
1	505-9-0092-207	Bouchon de remplissage d'huile	1
2	H17-6-1803-100	Réservoir	1
3	H17-4-1910-109	Assemblage d'adaptateur pivotant	1
4	H18-6-2112-105	Prise de la poignée	1
5	H17-3-2100-103	Poignée	1
6	A20-4-1500-106	Assemblage de boîtier	1
7	H17-3-1340-108	Assemblage du vérin du levier	1
8	426-3-1301-203	Assemblage de la valve de purge	1
9	A19-4-2050-101	Commutateur du débit d'air	1
10	H17-3-2001-108	Assemblage de moteur à air	1
11	428-4-3100-102	Assemblage de tuyau	1
12	434-3-3301-106	Raccord mâle	1
13	H17-3-9901-102	Trousse de réparation	1

Illustration des pièces de rechange du modèle 55101 :

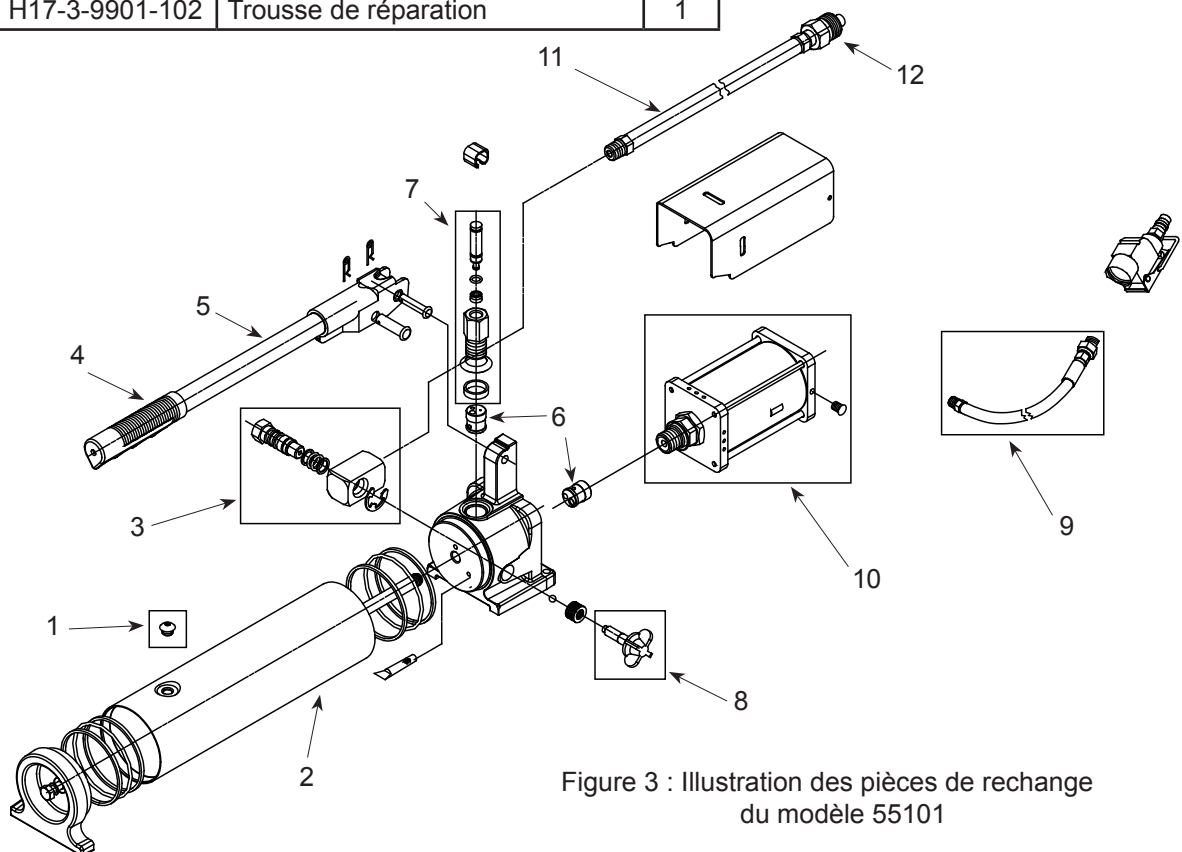


Figure 3 : Illustration des pièces de rechange du modèle 55101

GUIDE DE DÉPANNAGE

Les informations présentées dans le tableau ci-dessous sont fournies dans le but d'aider à régler des problèmes rencontrés. Les pompes doivent être réparées dans un centre de service Omega autorisé uniquement. Pour le service de réparation, communiquez avec le centre de service le plus près de chez vous.

Problème	Causes possibles	Mesure corrective
Appareil relié à la pompe fonctionnant de manière erratique	<ul style="list-style-type: none"> • Air emprisonné dans le système. • Fuite externe. • Fuite hydraulique interne. 	<ul style="list-style-type: none"> • Suivez la procédure décrite dans la section Purge de l'air emprisonné à la page 10. • Serrez tous les branchements. • Communiquez avec le service à la clientèle.
Appareil ne réagissant pas sous l'action du liquide pressurisé	<ul style="list-style-type: none"> • Surcharge. • La valve de purge n'est pas bien fermée. • Raccords lâches. • Raccords ou branchements défectueux. • Défaillance de la pompe. 	<ul style="list-style-type: none"> • Remédiez au problème de surcharge. • Assurez-vous que la valve est bien fermée. • Resserrez les raccords. • Remplacez les raccords ou les branchements. • Communiquez avec le service à la clientèle.
La pompe réagit sous l'action du liquide pressurisé, mais la pression du système ne se maintient pas	<ul style="list-style-type: none"> • Surcharge. • La valve de purge n'est pas bien fermée. • Défaillance de la pompe ou de la valve. • Appareil ou branchements qui fuient. 	<ul style="list-style-type: none"> • Remédiez au problème de surcharge. • Assurez-vous que la valve est bien fermée. • Communiquez avec le service à la clientèle. • Remplacez l'appareil ou refaites les branchements.
La pompe prend plus de temps pour réagir que normalement	<ul style="list-style-type: none"> • Raccord ou branchement lâche. • Raccord ou tuyau hydraulique avec écoulement restreint. • Appareil ou branchements qui fuient. 	<ul style="list-style-type: none"> • Serrez les branchements ou les raccords. • Nettoyez et remplacez les raccords ou les tuyaux s'ils sont endommagés. • Remplacez l'appareil ou refaites les branchements.
Le composant raccordé ne renvoie pas de liquide à la pompe (c.-à-d. que le vérin ne rentrera pas)	<ul style="list-style-type: none"> • Raccord défaillant, appareil endommagé. • Trop de liquide hydraulique dans le réservoir. 	<ul style="list-style-type: none"> • Retenez la charge par d'autres moyens. Ouvrez la valve de purge, dépressurisez la pompe et le tuyau, enlevez le raccord ou l'appareil, puis remplacez-le ou refaites le branchement. • Retenez la charge par d'autres moyens. Ouvrez la valve de purge, dépressurisez la pompe et le tuyau, enlevez l'appareil, puis purgez le liquide jusqu'à ce qu'il atteigne le bon niveau.
Performance médiocre	<ul style="list-style-type: none"> • Niveau de liquide de la pompe trop bas. 	<ul style="list-style-type: none"> • Assurez-vous que le niveau de liquide est adéquat.

GARANTIE LIMITÉE DE 1 AN

Pendant une période d'un (1) an, à partir de la date d'achat, SFA Companies réparera ou remplacera, à sa discrétion, sans frais, tous ses produits qui, utilisés dans des conditions normales, sont défectueux à cause d'un défaut de matériel ou de fabrication. Cette garantie limitée est le seul recours du consommateur.

Pour bénéficier du service offert par la garantie, il faut retourner le produit couvert par celle-ci, port payé, à SFA Companies, Warranty Service Department, 10939 N. Pomona Ave., Kansas City, MO 64153, États-Unis.

Sauf dans les cas où les limitations et les exclusions décrites dans ce paragraphe sont spécifiquement interdites par la loi : (1) LE SEUL RECOURS DU CONSOMMATEUR EST DE FAIRE RÉPARER OU REMPLACER LES PRODUITS DÉFECTUEUX COMME DÉCRIT CI-DESSUS; (2) SFA COMPANIES NE SERA PAS TENUE RESPONSABLE DES DOMMAGES CONSÉCUTIFS OU INDIRECTS OU DE PERTES QUELCONQUES; (3) TOUTE GARANTIE IMPLICITE, CE QUI INCLUT SANS LIMITATION LES GARANTIES IMPLICITES DE COMMERCIALITÉ ET D'ADAPTATION À UN USAGE PARTICULIER, SERA LIMITÉE À UN AN, À DÉFAUT DE QUOI LA RÉPARATION, LE REMPLACEMENT OU LE REMBOURSEMENT, SELON CETTE GARANTIE EXPRESSE LIMITÉE, CONSTITUE LE SEUL RECOURS DU CLIENT, ET REMPLACE TOUTE AUTRE GARANTIE, IMPLICITE OU EXPRESSE; (4) TOUTE MODIFICATION, ALTÉRATION, UTILISATION ABUSIVE OU NON AUTORISÉE OU DÉCORATION ORNEMENTALE ANNULE CETTE GARANTIE ET N'EST PAS COUVERTE PAR CELLE-CI.

Certaines provinces et certains États ne permettent pas de limiter la durée d'une garantie implicite et il est donc possible que la limitation décrite ci-dessus ne s'applique pas. Certaines provinces et certains États ne permettent pas d'exclure ou de limiter les dommages consécutifs ou indirects et il est donc possible que la limitation ou l'exclusion mentionnée ci-dessus ne s'applique pas. Cette garantie vous confère des droits particuliers et il est aussi possible que vous puissiez jouir d'autres droits qui varient d'une province à l'autre et d'un État à l'autre.



SFA Companies
10939 N. Pomona Ave., Kansas City, MO 64153, É.-U.
1 888 332-6419
sales@omegalift.com

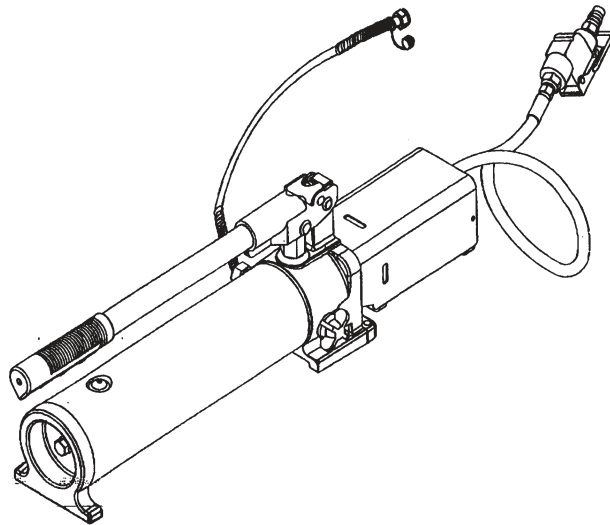
Manual de piezas e instrucciones de funcionamiento



Bomba manual accionada por aire/palanca

Modelo
55101

Capacidad
10 000 PSI (700 bar)



Este es el símbolo de alerta de seguridad. Se usa para alertar sobre peligros potenciales de lesiones personales.

Obedezca todos los mensajes de seguridad que tengan este símbolo, para evitar posibles lesiones personales o la muerte.



ADVERTENCIA

Para evitar lesiones por opresión y otras lesiones:



NUNCA trabaje sobre, debajo o alrededor de una carga que solamente esté apoyada en un gato hidráulico. Transfiera **de inmediato** la carga a una estación de trabajo adecuada.

SFA Companies

<http://www.omegalift.com>

Lea este manual y respete todas las reglas de seguridad y las instrucciones de funcionamiento antes de usar este producto.

Impreso en Taiwán
55101-M0_062013

INFORMACIÓN GENERAL y DE SEGURIDAD

Conserve estas instrucciones. Para su seguridad, lea, comprenda y siga la información que viene con este gato antes de su uso. El propietario u operador de este equipo debe tener conocimientos sobre este gato y los procedimientos de funcionamiento seguro antes de intentar utilizarlo. El propietario y operador deben tener presente que el uso y la reparación de este producto podrían requerir habilidades y conocimientos especiales. Las instrucciones y la información de seguridad deben expresarse en la lengua materna del operador antes de recibir autorización para el uso de este gato. Si tiene dudas sobre el uso seguro y adecuado de este gato, proceda a sacarlo de servicio de inmediato.

Inspeccione el dispositivo antes de cada uso. No lo use si detecta que está roto, doblado, agrietado o tiene piezas dañadas. Debe sacar de servicio en forma inmediata todo gato que presente daños, de la naturaleza que fueren, o funcione mal. Si tiene la sospecha o la certeza de que el gato fue sometido a una carga de impacto (una carga arrojada repentina e inesperadamente sobre este), interrumpa su uso de inmediato hasta su revisión por parte de un centro de servicio de fábrica autorizado (comuníquese con el fabricante o el distribuidor para obtener una lista de los centros de servicio de fábrica autorizados). Se recomienda realizar una inspección anual a cargo de personal calificado. Las etiquetas y los manuales del operador están disponibles por parte del fabricante.

DESCRIPCIÓN DEL PRODUCTO

La bomba manual accionada por aire/palanca Omega está diseñada para usarla junto con componentes de los kits de potencia portátiles/de reparación para estructuras Omega. Las bombas tienen una capacidad nominal de 8 000 a 10 000 PSI (600 a 700 bar).



ADVERTENCIA: Cuando se utilizan arietes y tubos de extensión o accesorios de compensación, la capacidad nominal siempre se reduce en un 50 % para cada tubo o accesorio conectado.

ESPECIFICACIONES

Modelo	Capacidad	Tamaño de la bomba (largo x ancho x alto)	Presión de aire	Fuerza operativa
55101	10 000 PSI (700 bar)	22" x 6-1/8" x 6-5/8" (55,9 cm x 15,56 x 16,83 cm)	90 - 175 psi (6 a 12 bar)	145 libras (65,8 kg)

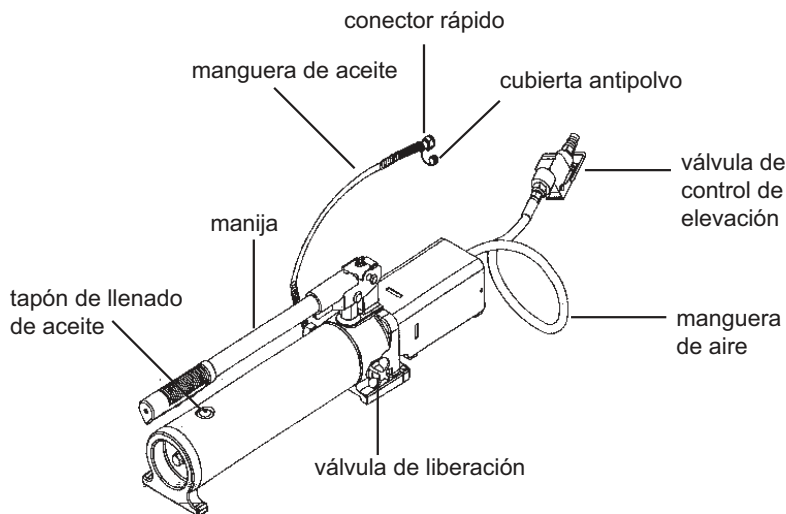


Figura 1: Nomenclatura del modelo 55101

ANTES DEL USO

Utilice la Figura 1 a modo de referencia.

1. Asegúrese de que el producto y la aplicación sean compatibles.
2. Asegúrese de que todas las piezas de la bomba estén incluidas (consulte la ilustración y la lista de piezas).
3. Quite cuidadosamente las tapas protectoras de polvo y los tapones del acoplador de la manguera y del acoplador del ariete.
4. Conecte el acoplador de la manguera al acoplador del accesorio y asegúrese de que no haya fugas de líquido.
5. Ubique y abra la válvula de liberación. Bombeo la manija algunos recorridos para purgar el aire del sistema. Cierre la válvula de liberación y bombee la manija hasta que el ariete esté completamente extendido; luego, abra la válvula de liberación hasta que el ariete esté completamente retraído.

⚠️ ADVERTENCIA



- Estudie, comprenda y siga todas las instrucciones que vienen con este dispositivo antes de usarlo.
- Se deben obedecer cuidadosamente todas las ADVERTENCIAS para evitar lesiones personales.
- No deben hacerse modificaciones a este dispositivo.
- Siempre use traje de protección cuando opere equipos hidráulicos.
- Mantenga los equipos hidráulicos alejados de las llamas y el calor. El líquido hidráulico puede encenderse y arder. No opere los equipos si detecta fugas.
- **Peligro de aplastamiento.** Mantenga las manos y los pies alejados del área de carga. Evite los pellizcos y las opresiones que puedan surgir a causa de la carga, el cilindro o cualquier equipo del sistema.
- Para evitar lesiones por opresión y otras lesiones: NUNCA trabaje sobre, debajo o alrededor de una carga levantada si no cuenta con un

soporte adecuado por medios mecánicos apropiados. Nunca confíe únicamente en la presión hidráulica para sostener la carga.

BOMBAS HIDRÁULICAS

- El usuario debe ser un operador calificado que esté familiarizado con el funcionamiento, mantenimiento y uso correcto de las bombas. La falta de conocimiento en alguna de estas áreas puede ocasionar lesiones personales.
- No exceda la capacidad establecida de la bomba o cualquier equipo en el sistema.
- No intente levantar una carga si pesa más que la capacidad del cilindro.
- Hay riesgo de explosión si la presión de la manguera o conexión excede la presión nominal.
- Inspeccione la bomba, el cilindro, las mangueras y las conexiones antes de cada uso para evitar el surgimiento de condiciones poco seguras. No los utilice si están dañados, alterados o en malas condiciones. No haga funcionar el sistema si los acopladores están doblados o dañados, o las roscas están rotas.
- Nunca sujete ni se pare directamente en línea con cualquier conexión hidráulica durante la presurización.
- Utilice un medidor u otro instrumento de medición de carga para verificar la carga.
- Nunca intente desconectar las conexiones hidráulicas bajo presión. Libere toda la presión de la tubería antes de desconectar las mangueras.
- No someta a la bomba ni a sus componentes a cargas de impacto.
- Utilice solo accesorios y líquido hidráulico aprobados.
- No conecte NINGÚN componente que no esté autorizado por el fabricante.
- Asegúrese siempre de que la aplicación elegida esté estable para trabajar en el lugar y en los alrededores.
- No la conecte a una aplicación que devuelva más aceite al depósito de la bomba de lo que este puede soportar.
- No conecte la bomba a un sistema hidráulico potenciado por otra bomba.
- Este dispositivo no es adecuado para el uso como dispositivo de apoyo. A medida que se levante la carga del sistema, utilice el bloqueo y la criba para proteger el dispositivo y evitar la precipitación de la carga.
- Despeje el área de operarios antes de bajar la carga o despresurizar el sistema.
- Nunca intente desarmar un cilindro hidráulico; consulte con el personal calificado autorizado sobre las reparaciones.

MANGUERAS HIDRÁULICAS Y LÍNEAS DE TRANSMISIÓN DE LÍQUIDO

- Evite las extensiones de tubos rectos de escaso tamaño. Las extensiones de tubos rectos no contemplan la expansión ni la contracción debido a los cambios de presión y temperatura.
- Reduzca la presión en tuberías. Las extensiones de tubos de gran tamaño deben fijarse por medio de soportes o sujetadores. Antes de poner en funcionamiento la bomba, ajuste todas las conexiones de la manguera con las herramientas adecuadas. No apriete demasiado. Las conexiones solo deben ajustarse en forma segura para evitar fugas. Si las ajusta en exceso, podrían producirse fallas prematuras en las roscas o explosiones en los accesorios de alta presión.
- En caso de ruptura, explosión o desconexión, por el motivo que fuere, de la manguera hidráulica, cierre la bomba de inmediato y libere toda la presión. Nunca intente sostener una manguera presurizada con fugas con las manos descubiertas. El líquido hidráulico de salida podría lastimarlo.
- No exponga la manguera a peligros potenciales como incendio, objetos filosos, temperaturas extremadamente altas o bajas o impactos fuertes.
- No permita que la manguera se dé vuelta, se tuerza, se enrosque, se aplaste, se corte o se doble con fuerza para evitar bloqueos o reducciones en el flujo de líquido. Inspeccione la manguera periódicamente para verificar que no haya desgaste.
- No tire, posicione ni mueva la instalación desde la manguera.
- El material de la manguera y los sellos del acoplador deben ser compatibles con el líquido hidráulico utilizado. Por otra parte, las mangueras no deben entrar en contacto con materiales corrosivos como ácido de batería, objetos impregnados en creosota ni pintura húmeda. Nunca pinte los acopladores ni las mangueras.
- SI NO SE RESPETAN ESTAS ADVERTENCIAS, PODRÍAN PRODUCIRSE LESIONES PERSONALES Y DAÑOS A LA PROPIEDAD.

Purgado/descarga del aire atrapado

Coloque la válvula de liberación en la posición ABIERTO y baje el pistón del ariete en forma completa; luego, ubique y retire el tapón/tornillo de llenado de aceite. Coloque la manija de la bomba en el manguito de la manija; luego bombee de 6 a 8 recorridos completos. Oprima suavemente la válvula de control de elevación durante 6 a 8 segundos. Esto ayudará a liberar el aire presurizado que pudiera estar atrapado dentro del depósito. El aceite debe estar a nivel con la parte inferior del orificio de llenado de aceite. Vuelva a colocar el tapón/tornillo de llenado de aceite.

FUNCIONAMIENTO



ADVERTENCIA: *Monitoree PERMANENTEMENTE la presión, la carga y la posición con un equipo adecuado. La presión puede monitorearse por medio de un múltiple y un medidor opcionales. La carga puede monitorearse por medio de una celda de carga y un indicador digital. El operador del equipo es el único que puede determinar la posición correcta de la aplicación.*

1. Conecte la bomba a una aplicación adecuada.
2. Asegúrese de que el nivel de aceite y los accesorios y las conexiones del sistema no tengan fugas antes de hacer funcionar la bomba.
3. La bomba puede utilizarse en posición vertical y horizontal, como se ilustra en la Figura 2.
4. Cierre la válvula de liberación; para ello, gírela a la derecha. Apriétela con la mano ÚNICAMENTE. El uso de herramientas en la válvula de liberación puede dañarla y causar fallas en el funcionamiento de la bomba.
5. Bombee la manija u oprima la válvula de control de elevación hasta alcanzar la presión, carga o posición deseada.
6. Se mantendrá la presión hasta que se abra la válvula de liberación.
7. Para retraer la aplicación, gire lentamente la perilla de la válvula de liberación hacia la izquierda (no más de 2 giros completos).

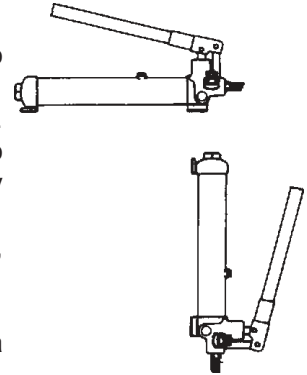


Figura 2: Posición horizontal y vertical



ADVERTENCIA: *NUNCA haga funcionar la bomba con la válvula de liberación cerrada y desconectada de la aplicación. El funcionamiento en estas condiciones hará que la manguera y las conexiones se presuricen. Esto aumenta el riesgo de explosión. Esto podría causar daños en la bomba y sus componentes.*

MANTENIMIENTO

1. Inspeccione las mangueras y las conexiones diariamente. Reemplace los componentes dañados de inmediato solo con piezas de repuesto hidráulicas Omega.
2. Ajuste las conexiones si es necesario. Use compuesto para roscas de tubería cuando repare las conexiones.
3. Use solo líquido hidráulico de buena calidad. Le recomendamos aceite para gatos hidráulicos de alta calidad o su equivalente. **Nunca** use líquido de frenos, líquido de transmisión, aceite de turbinas, aceite de motor, alcohol, glicerina, etc. El uso de cualquier otro líquido que no sea aceite hidráulico de buena calidad anulará la garantía y dañará la bomba, la manguera y la aplicación.

Agregado de líquido hidráulico

1. Despresurice y desconecte la manguera hidráulica de la aplicación.
2. Con la bomba en posición recta y horizontal, quite el tornillo/tapón de llenado de aceite ventilado ubicado en la parte superior del depósito.
3. Use un embudo pequeño para llenar el depósito hasta 1/4" (6 mm) de la abertura.
4. Limpie el líquido derramado y vuelva a colocar el tornillo/tapón de llenado de aceite ventilado.

Cambio de líquido hidráulico

Para obtener mejores resultados, cambie el líquido una vez al año.

1. Con la bomba en posición recta y horizontal, quite el tornillo/tapón de llenado de aceite ventilado ubicado en la parte superior del depósito. Luego, vierta el líquido usado en un recipiente hermético.
2. Deseche el líquido conforme a las reglamentaciones locales.
3. Llène con aceite para gatos hidráulicos de buena calidad, conforme a lo indicado arriba. Vuelva a colocar el tapón/tornillo de llenado de aceite ventilado.

Lubricación

Utilice aceite ligero para máquinas para lubricar los puntos de giro, las bisagras, etc.

Almacenamiento

1. Cuando no estén en uso, despresurice y desconecte las mangueras de la aplicación.

2. Limpie el dispositivo cuidadosamente.
3. Guárdelo en un entorno limpio y seco. Evite las temperaturas extremas. Trabe la manija mediante el mecanismo de pasador de seguridad accionado por resorte.
4. Proteja la bomba con una cubierta protectora.

PIEZAS DE REPUESTO

No todos los componentes del gato tienen reemplazo, pero se ilustran a modo de referencia práctica de la ubicación y la posición que ocupan en la secuencia del conjunto. Cuando realice el pedido de piezas, indique el número de modelo y la descripción de las piezas. Para obtener el precio vigente, comuníquese a: SFA Companies 10939 N. Pomona Ave. Kansas City, MO 64153, U.S.A. Correo electrónico: sales@omegalift.com Tel.: (888) 332-6419 Fax: (816) 891-6599, sitio web: <http://www.omegalift.com>

N.º de artículo	N.º de pieza	Descripción	Cant.
1	505-9-0092-207	Tapón de llenado de aceite	1
2	H17-6-1803-100	Depósito	1
3	H17-4-1910-109	Conj. del adaptador giratorio	1
4	H18-6-2112-105	Agarre de la manija	1
5	H17-3-2100-103	Manija	1
6	A20-4-1500-106	Conjunto de cartucho	1
7	H17-3-1340-108	Conjunto del cilindro de la bomba	1
8	426-3-1301-203	Conjunto de la válvula de liberación	1
9	A19-4-2050-101	Conjunto de la manguera del interruptor de aire	1
10	H17-3-2001-108	Conjunto de motor neumático	1
11	428-4-3100-102	Conjunto de la manguera	1
12	434-3-3301-106	Acoplador macho	1
13	H17-3-9901-102	Kit de reparación	1

Ilustración de piezas de repuesto para los modelos 55101:

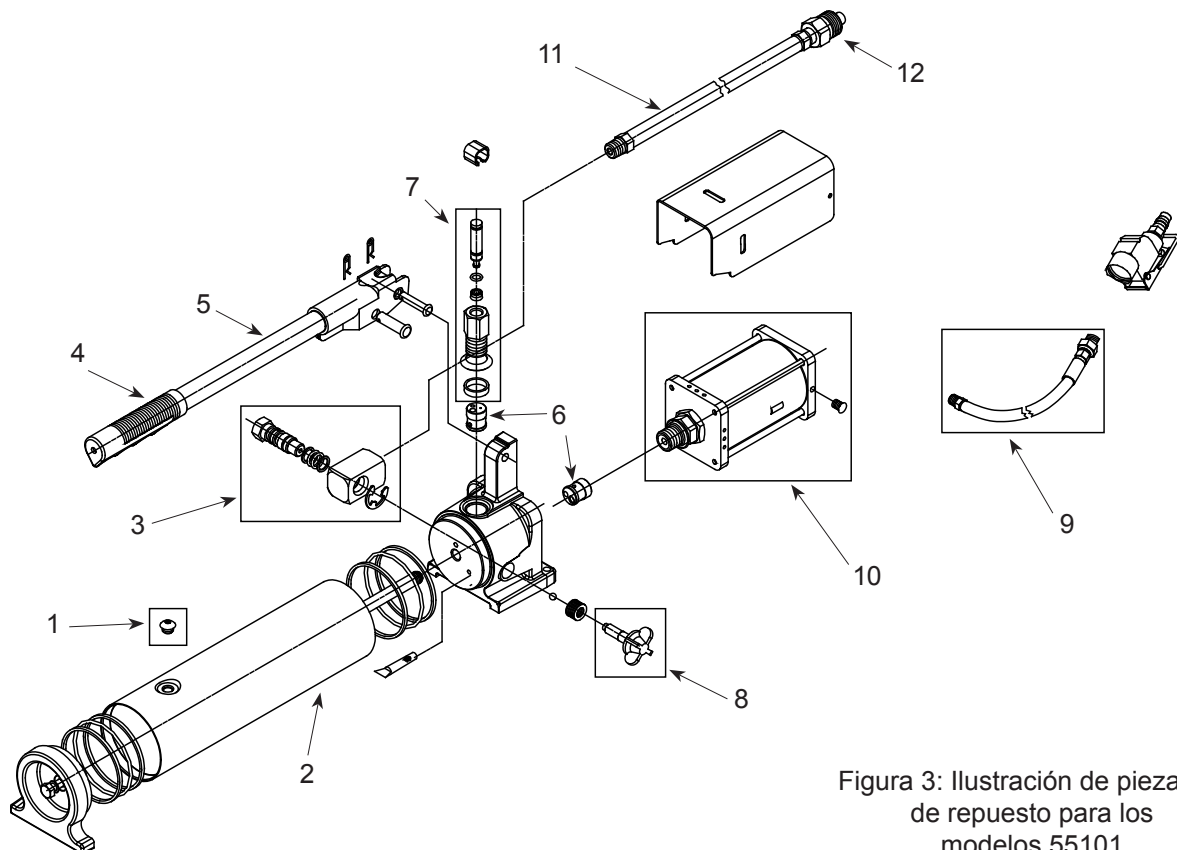


Figura 3: Ilustración de piezas de repuesto para los modelos 55101

GUÍA DE LOCALIZACIÓN Y SOLUCIÓN DE AVERÍAS

La siguiente información se proporciona a los fines de determinar si hay algún problema en la aplicación. Las bombas deben ser reparadas únicamente por un centro de servicio Omega autorizado. Si desea recibir servicios de reparación, comuníquese con el centro de servicio de su zona.

Síntoma	Causas posibles	Medidas correctivas
Acción irregular de la aplicación.	<ul style="list-style-type: none"> • Hay aire en el sistema. • Hay una fuga externa. • Hay una fuga hidráulica interna. 	<ul style="list-style-type: none"> • Siga las instrucciones de Purgado/descarga del aire atrapado, pág. 16. • Apriete todas las conexiones. • Comuníquese con el centro de servicio.
La aplicación no se extiende, no se mueve ni tampoco responde al líquido presurizado.	<ul style="list-style-type: none"> • Hay un estado de sobrecarga. • La válvula de liberación no está cerrada. • Los acopladores/las conexiones están flojos. • Los acopladores/las conexiones están defectuosos. • La bomba no funciona correctamente. 	<ul style="list-style-type: none"> • Solucione el estado de sobrecarga. • Asegúrese de que la válvula de liberación esté cerrada. • Apriete los acopladores/las conexiones. • Reemplace los acopladores/las conexiones. • Comuníquese con el centro de servicio.
La aplicación responde al líquido presurizado, pero el sistema no mantiene la presión.	<ul style="list-style-type: none"> • Hay un estado de sobrecarga. • La válvula de liberación no está cerrada. • La bomba o la válvula no funcionan correctamente. • Hay fugas en la aplicación/conexión. 	<ul style="list-style-type: none"> • Solucione el estado de sobrecarga. • Asegúrese de que la válvula de liberación esté cerrada. • Comuníquese con el centro de servicio. • Reemplace la aplicación/conexión.
La aplicación responde más lentamente que lo normal.	<ul style="list-style-type: none"> • Hay conexiones o acopladores sueltos. • Hay líneas o accesorios hidráulicos restringidos. • Hay fugas en la aplicación/conexión. 	<ul style="list-style-type: none"> • Ajuste las conexiones o los acopladores. • Limpie y reemplace las piezas si están dañadas. • Reemplace la aplicación/conexión.
La aplicación no devuelve el líquido a la bomba (es decir, el cilindro no se retrae).	<ul style="list-style-type: none"> • El acoplador está defectuoso o la aplicación está dañada. • El depósito está lleno en exceso. 	<ul style="list-style-type: none"> • Sujete la carga por otros medios. Abra la válvula de liberación, despresurice la bomba y la manguera, quite el acoplador o la aplicación y cámbielos o reemplácelos. • Sujete la carga por otros medios. Abra la válvula de liberación, despresurice la bomba y la manguera, quite la aplicación y drene el líquido hasta el nivel adecuado.
La capacidad es deficiente.	<ul style="list-style-type: none"> • El nivel de líquido de la bomba está bajo. 	<ul style="list-style-type: none"> • Asegúrese de que el nivel de líquido sea el adecuado.

GARANTÍA LIMITADA DE UN AÑO

Por el período de un (1) año desde la fecha de compra, SFA Companies reparará o reemplazará, a su discreción, sin costo alguno, cualquier producto que presente fallas debido a defectos de materiales o mano de obra bajo condiciones normales de uso. Esta garantía limitada es un recurso exclusivo del consumidor.

El cumplimiento de toda obligación en virtud de esta garantía puede obtenerse con el envío del producto en garantía, con flete abonado en origen, a SFA Companies Warranty Service Department, 10939 N. Pomona Ave., Kansas City, MO 64153.

Salvo que tales limitaciones y exclusiones estén específicamente prohibidas por las leyes vigentes, (1) EL ÚNICO Y EXCLUSIVO RECURSO DEL CONSUMIDOR SERÁ LA REPARACIÓN O EL REEMPLAZO DE LOS PRODUCTOS DEFECTUOSOS, COMO SE DETALLA ARRIBA. (2) SFA Companies NO SERÁ RESPONSABLE, EN NINGÚN CASO, POR DAÑOS O PÉRDIDAS EMERGENTES O INCIDENTALES. (3) TODA GARANTÍA IMPLÍCITA, LO QUE INCLUYE, ENTRE OTRAS, LAS GARANTÍAS IMPLÍCITAS DE COMERCIALIZACIÓN Y APTITUD PARA FINES ESPECÍFICOS, ESTARÁ LIMITADA A UN AÑO; DE OTRO MODO, LA REPARACIÓN, EL REEMPLAZO O LA DEVOLUCIÓN DE DINERO CONFORME A ESTA GARANTÍA LIMITADA EXPRESA SERÁ EL EXCLUSIVO RECURSO DEL CONSUMIDOR, Y SE OFRECE EN LUGAR DE CUALQUIER OTRA GARANTÍA, EXPRESA O IMPLÍCITA. (4) CUALQUIER MODIFICACIÓN, ALTERACIÓN, USO INDEBIDO, SERVICIO NO AUTORIZADO O DISEÑO ORNAMENTAL ANULARÁ ESTA GARANTÍA Y NO ESTARÁ CUBIERTO POR ESTA GARANTÍA.

Algunos estados no permiten la limitación de la duración de las garantías implícitas, por lo que las limitaciones anteriores pueden no aplicarse en su caso. Algunos estados no permiten excluir o limitar los daños emergentes o incidentales, por lo tanto esta limitación o exclusión puede no ser aplicable en su caso. Esta garantía le otorga derechos legales específicos. Usted puede tener además otros derechos que varían de un estado a otro.



SFA Companies
10939 N. Pomona Ave. Kansas City, MO 64153
(888) 332-6419
sales@omegalift.com

Note Page/Notes/Notas



SFA Companies
10939 N. Pomona Ave. Kansas City, MO 64153
888-332-6419
sales@omegalift.com

Note Page/Notes/Notas



SFA Companies
10939 N. Pomona Ave. Kansas City, MO 64153
888-332-6419
sales@omegalift.com