

90 DAYS LIMITED WARRANTY

For a period of ninety (90) days from date of purchase, **Shinn Fu Co. of America, Inc.** will repair or replace, at its option, without charge, any of its products which fails due to a defect in material or workmanship, or which fails to conform to any implied warranty not excluded hereby.

Performance of any obligation under this warranty may be obtained by returning the warranted product, freight prepaid, to **Shinn Fu Co. of America, Inc.** Warranty Service Department, 10939 N. Pomona Ave., Kansas City, MO 64153.

Except where such limitations and exclusions are specifically prohibited by applicable law, (1) the CONSUMER'S SOLE AND EXCLUSIVE REMEDY SHALL BE THE REPAIR OR REPLACEMENT OF DEFECTIVE PRODUCTS AS DESCRIBED ABOVE, and (2) **Shinn Fu Co. of America, Inc.** SHALL NOT BE LIABLE FOR ANY CONSEQUENTIAL OR INCIDENTAL DAMAGE OR LOSS WHATSOEVER, and (3) THE DURATION OF ANY AND ALL EXPRESSED AND IMPLIED WARRANTIES, INCLUDING WITHOUT LIMITATION, ANY WARRANTIES OF MERCHANTABILITY AND FITNESS FOR A PARTICULAR PURPOSE, IS LIMITED TO A PERIOD OF NINETY (90) DAYS FROM DATE OF PURCHASE.

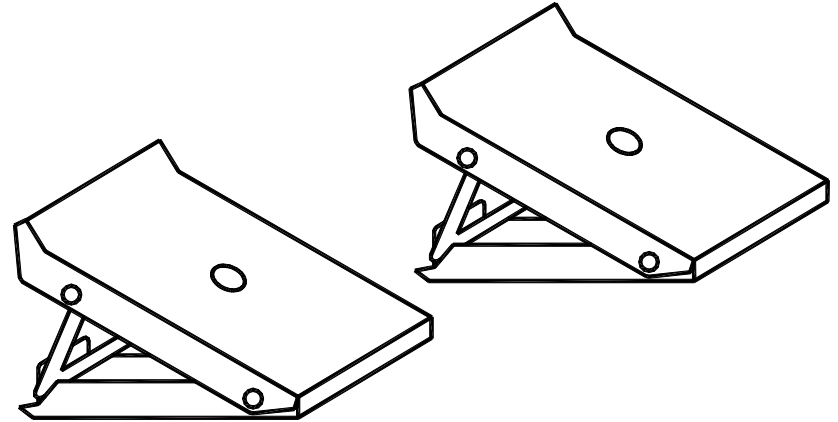
Some states do not allow limitations on how long an implied warranty lasts, so the above limitation may not apply to you. Some states do not allow the exclusion or limitation of incidental or consequential damages, so the above limitation or exclusion may not apply to you. This warranty gives you specific legal rights, and you may also have other rights which vary from state to state.



Foldable Wheel Chocks

Operating Instructions & Parts Manual

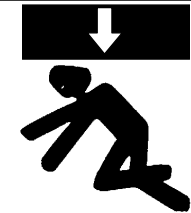
Model Number
T-8074



⚠ ATENCIÓN

- Leer, comprender, y seguir las instrucciones antes de utilizar el aparato.
- El manual de instrucciones y la información de seguridad deben estar comunicado en lengua del operador antes del uso.
- No seguir estas indicaciones puede causar daños personales o materiales.

⚠ WARNING



To avoid crushing and related injuries: NEVER work on, under or around a load supported only by the wheel chocks. ALWAYS use adequately rated jack stands.

Shinn Fu Company of America, Inc. © 2003
10939 N. Pomona Ave.
Kansas City, MO 64153
Phone (816)891-6390, fax (816)891-6599

Printed in China
OIPM#WC-03

Save these instructions. For your safety, read, understand, and follow the information provided with and on this product. The owner and operator of this equipment shall have an understanding of this product and safe operating procedures before attempting to use. The owner and operator shall be aware that use of this product may require special skills and knowledge. Instructions and safety information shall be conveyed in the operator's native language before use of this product is authorized. If any doubt exists as to the safe and proper use of this product, remove from service immediately.

Inspect before each use. Do not use if broken, bent, cracked, or damaged parts (including labels) are noted. Any product that appears damaged in any way, operates abnormally or is missing parts, shall be removed from service immediately. If the wheel chock has been or suspected to have been subjected to a shock load (a load dropped suddenly, unexpectedly upon it), immediately discontinue use until it has been checked by a factory authorized service center. It is recommended that an annual inspection be done by qualified personnel. Labels and Owner's Manuals are available from manufacturer.

PRODUCT DESCRIPTION

Pro-Lift Foldable Wheel Chocks have been designed to be used in conjunction with all lifting equipment to help provide a safe, stable lifting condition. This product is intended to be used on cars, vans, and light trucks only. Foldable wheel chocks are not support devices and should not be used to raise or to permanently support/secure a vehicle to prevent movement.

BEFORE USE

1. Verify that the product and the application are compatible, if any doubt call Pro-Lift Customer Support @ (816)891-6390.
2. Before using this product, read the owner's manual completely and familiarize yourself thoroughly with the product, its components and recognize the hazards associated with its use.
3. Lubricate as instructed in Maintenance Section.

⚠ WARNING

Study, understand, and follow all instructions provided with and on this device. Use only in pairs on a hard, level surface. Failure to heed these markings may result in personal injury and/or property damage.

⚠ ATENCIÓN

- Leer, comprender, y seguir las instrucciones antes de utilizar el aparato.
- El manual de instrucciones y la información de seguridad deben estar comunicado en lengua del operador antes del uso.
- No seguir estas indicaciones puede causar daños personales o materiales.

! SAFETY MESSAGE !

The wheel diagonally opposite from the wheel being lifted shall be chocked in both directions.

OPERATION

1. Ensure application is compatible with product.
2. Read, understand and follow the tire changing procedure as specified by the vehicle manufacturer's owners manual.
3. Unfold and pull out support bar to the stop, locking the support bar in groove.
4. Always use folding wheel chocks in pairs, one pair per tire.
5. Position foldable wheel chocks so each is centered on the tread of the tire.

MAINTENANCE

Lubrication

Periodically inspect the folding wheel chocks. Ensure that all parts move freely. A periodic coating of light lubricating oil to the pivot points will help to prevent rust and assure the folding wheel chock moves freely. Please note that there are no replacement parts applicable to this device.

Cleaning

Periodically inspect the folding wheel chocks for signs of rust or corrosion. If any rust spots are found, sand the affected area and cover with a suitable utility paint. Wipe chocks with a clean dry cloth.

