

## HW93300 SERIES - MANUAL OR AIR

# 25 Ton Shop Press

- Frames made in the USA

Made in **USA**

- Excellent for bending, bonding, or straightening applications
- Ideal for the removal or installation of gears, universal joints, pulleys, wrist pins, and other press jobs
- Industrial grade hydraulics

Includes hand winch for easy bed adjustments

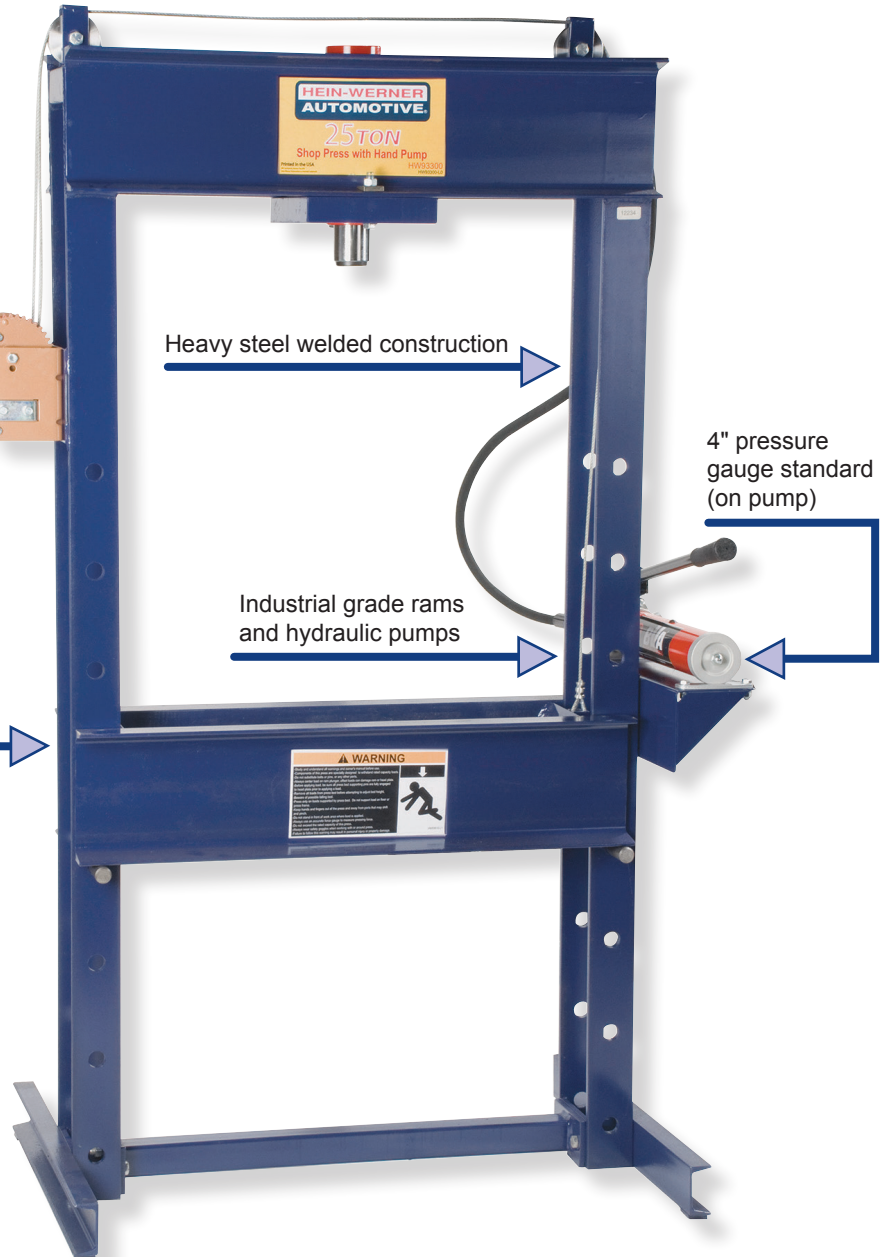
Multi-position bed for work height adjustment

Heavy steel welded construction

Industrial grade rams and hydraulic pumps

4" pressure gauge standard (on pump)

### Optional Shop Press Guard HW93325



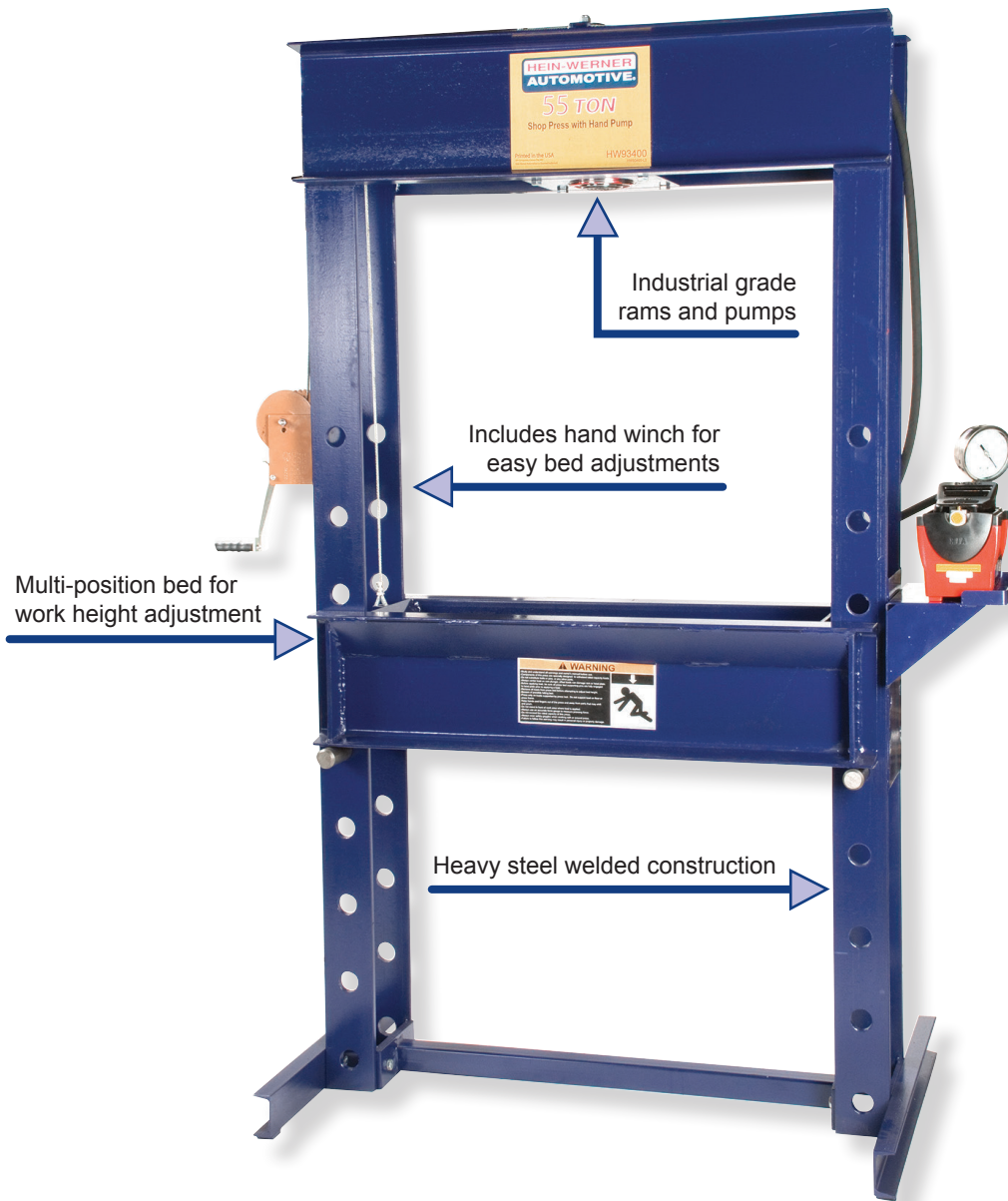
Model	Capacity	Stroke	Pump Type	Press Size (H x W x L)	Interior Width	Bed Depth	Bed Position	Channel Width	Working Height	G.W.
HW93300	25 Ton	6"	Manual	71 x 44 x 30	29-3/4"	11-1/2"	8	6-3/4"	5-1/2" ~ 47-1/2"	484 Lbs.
HW93301			Air							487 Lbs.
HW93305			Manual							510 Lbs.
HW93306			Electric							510 Lbs.

# HW93400 SERIES - MANUAL, AIR OR ELECTRIC 55 Ton Shop Press

- Frames made in the USA

Made in USA

- Excellent for bending, bonding, or straightening applications
- Ideal for the removal or installation of gears, universal joints, pulleys, wrist pins, and other press jobs
- Industrial grade hydraulics



## Optional Shop Press Guard HW93425



Model	Capacity	Stroke	Pump Type	Press Size (H x W x L)	Interior Width	Bed Depth	Bed Position	Channel Width	Working Height	G.W.
HW93400	55 Ton	6"	Manual	80-1/2" x 53" x 30"	35-1/2"	14-7/8"	9	9-1/4"	7-1/2" ~ 55-1/2"	855 Lbs.
HW93401			Air							850 Lbs.
HW93402			Electric							916 Lbs.
HW93403		Air	891 Lbs.							
HW93404		Electric	13"							948 Lbs.

# HW93410 SERIES - MANUAL, AIR OR ELECTRIC

## 55 Ton Rolling Head Shop Press

- Frames made in the USA

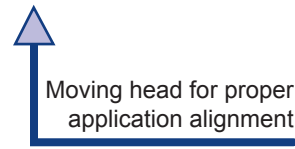


- Excellent for bending, bonding, or straightening applications
- Ideal for the removal or installation of gears, universal joints, pulleys, wrist pins, and other press jobs
- Industrial grade hydraulics

Includes hand winch for easy bed adjustments



Moving head for proper application alignment



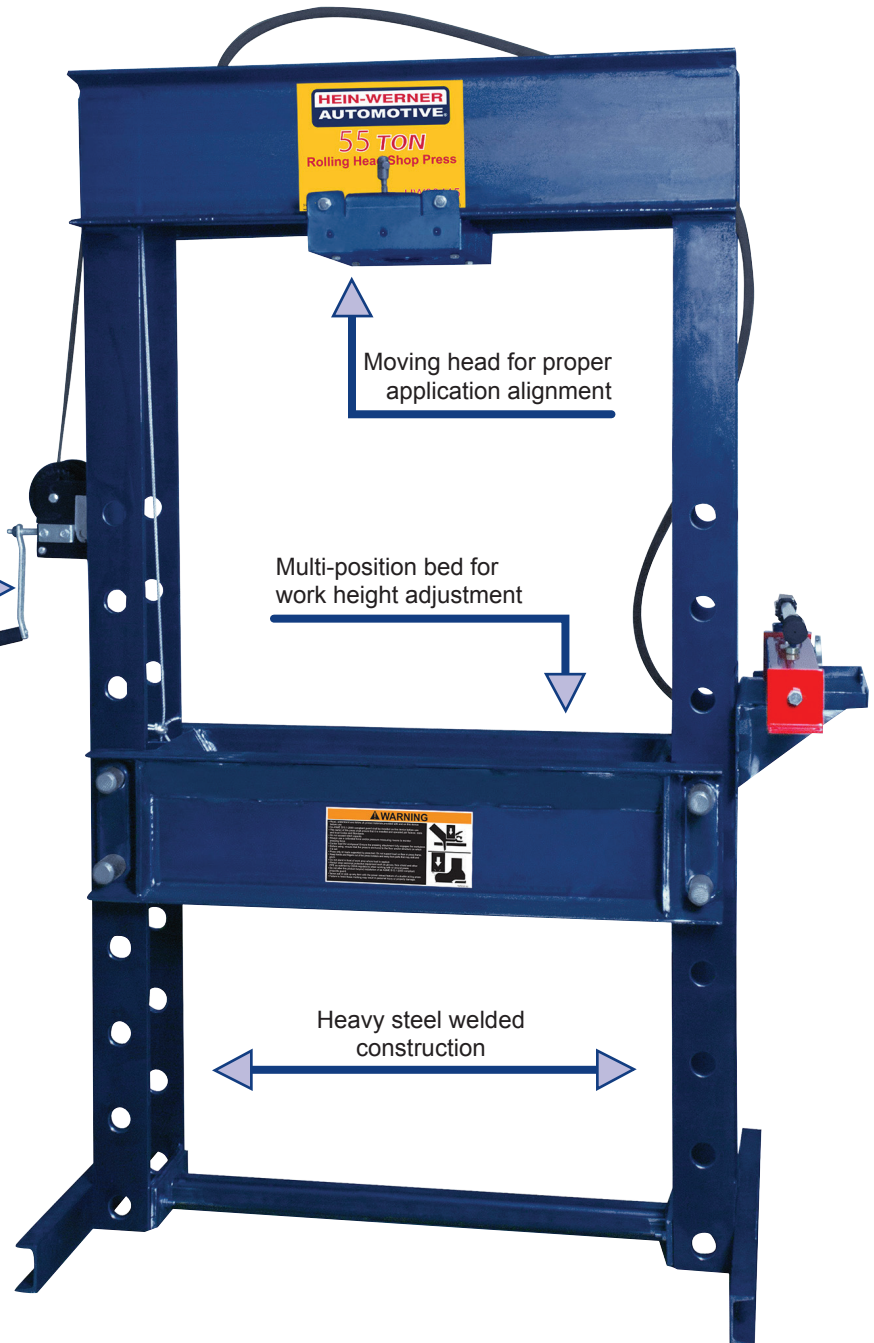
Multi-position bed for work height adjustment



Heavy steel welded construction



**Optional Shop Press Guard HW93425**



Model	Capacity	Stroke	Pump Type	Press Size (H x W x L)	Interior Width	Bed Depth	Bed Position	Channel Width	Working Height	G.W.
HW93410	55 Ton	6"	Manual	80-1/2" x 53" x 30"	35-1/2"	14-7/8"	9	9-1/4"	15-3/8" ~ 51-3/8"	855 Lbs.
HW93411			Air							850 Lbs.
HW93412			Electric							916 Lbs.
HW93413		Air	891 Lbs.							
HW93414		Electric	948 Lbs.							
HW93415 (Double Acting)		Electric	948 Lbs.							

# HW93405 DOUBLE ACTING 55 Ton Shop Press

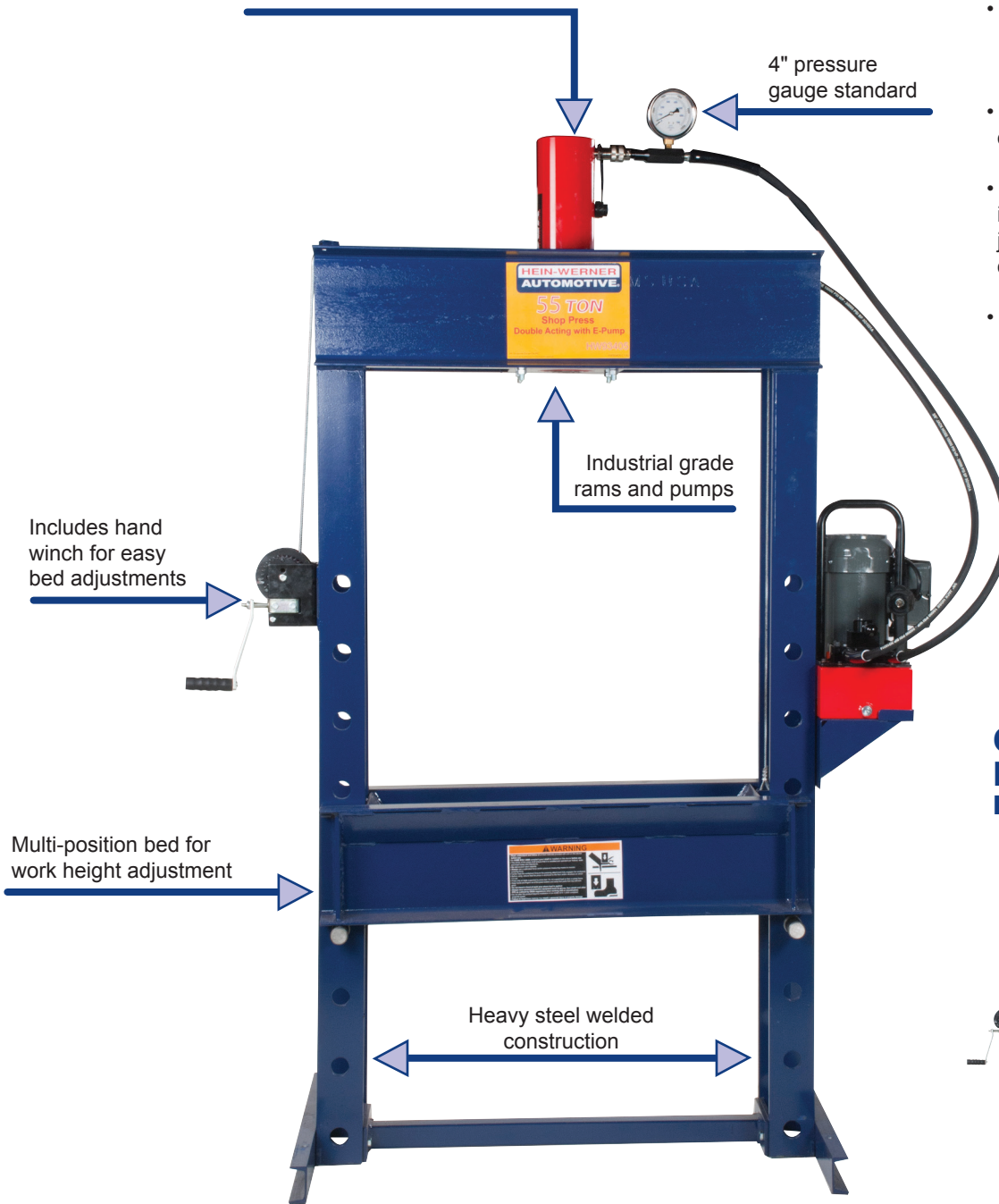
Double acting cylinder provides fast and efficient advance and retract to minimize time on the job

4" pressure gauge standard

- Frames made in the USA

Made in USA

- Excellent for bending, bonding, or straightening applications
- Ideal for the removal or installation of gears, universal joints, pulleys, wrist pins, and other press jobs
- Industrial grade hydraulics



## Optional Shop Press Guard HW93425



Model	Capacity	Stroke	Pump Type	Press Size (H x W x L)	Interior Width	Bed Depth	Bed Position	Channel Width	Working Height	G.W.
HW93405	55 Ton	13"	Electric	80-1/2" x 53" x 30"	35-1/2"	14-7/8"	9	9-1/4"	7-1/2"~55-1/2"	968 Lbs.

# HW93610 Series 100 Ton Shop Press

• Frames made in the USA

Made in **USA**

• Excellent for bending, bonding, or straightening applications

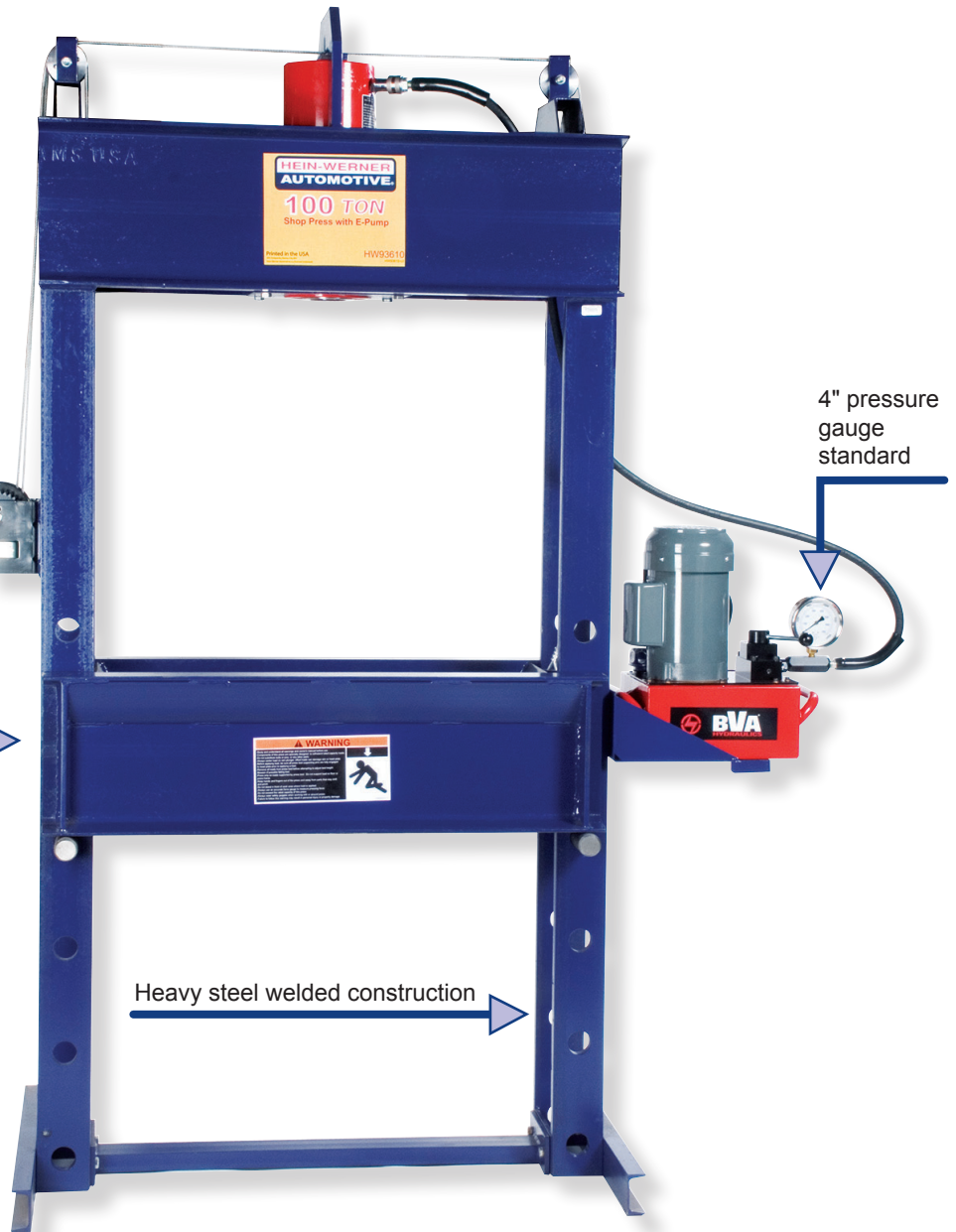
• Ideal for the removal or installation of gears, universal joints, pulleys, wrist pins, and other press jobs

Includes hand winch for easy bed adjustments

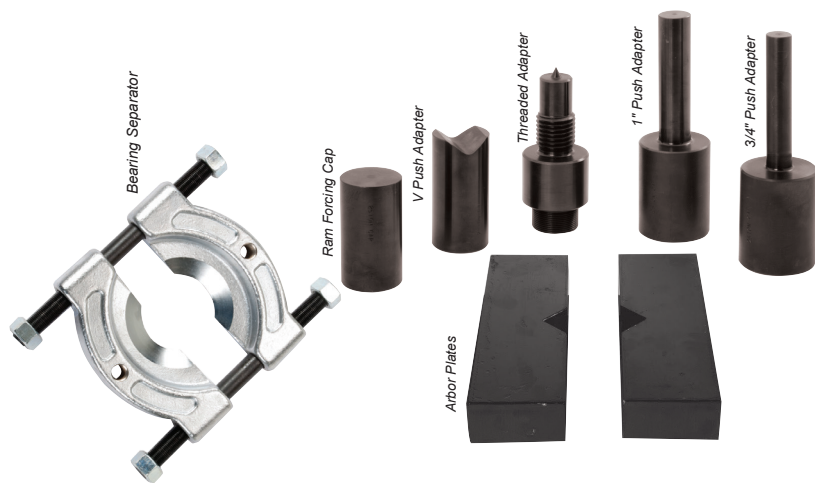
Multi-position bed for work height adjustment

4" pressure gauge standard

## Optional Shop Press Guard HW93625



Model	Capacity	Stroke	Pump Type	Press Size (H x W x L)	Interior Width	Bed Depth	Bed Position	Channel Width	Working Height	G.W.
HW93610	100 Ton	10"	Electric	89" x 63" x 30"	35-3/8"	16-1/4"	6	10-1/4	12" ~ 52"	1,221 Lbs.
HW93615							6	10		770 Lbs.



# HW93309 25 Ton Shop Press Accessories Kit

Made in USA

Accessories kit contains

- Ram forcing cap (300-002-229)
- V push adapter (300-002-807)
- Threaded adapter (300-002-953)
- 1" push adapter (300-002-511)
- 3/4" push adapter (300-002-510)
- Arbor plates (AP25)
- Bearing Separators
- G.W. 38 Lbs..



# HW93409 55 Ton Shop Press Accessories Kit

Made in USA

Accessories kit contains

- Ram forcing cap (400-002-230)
- V Push adapter (400-002-808)
- Threaded adapter (400-002-368)
- 1-1/2" push adapter (400-002-757)
- 1-1/4" push adapter (400-002-756)
- Arbor plates (AP55)
- Bearing Separators
- G.W. 79 Lbs..



# HW93291 1 Quart Premium Jack Oil

# HW93294 1 Gallon Premium Jack Oil

Model Number	Volume	Viscosity Index	Viscosity @ 100°F (S.U.S.)	Viscosity @ 210°F (S.U.S.)	ISO Grade	Flash Point	Pour Point	API Gravity
HW93291	1 Quart	93 min.	65	35	10	405 °F	-59 °F	25.5
HW93294	1 Gallon							