



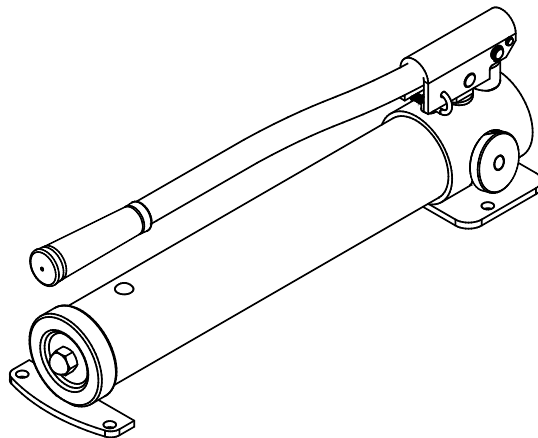
Porto-Power Blackhawk Automotive is a licensed trademark

# Hydraulic Hand Pumps

## Operating Instructions & Parts Manual

Model Number	Capacity
B65122	21.4 in <sup>3</sup>
B65421	61.0 in <sup>3</sup>

**Maximum Operating Pressure 10,000 PSI**



This is the safety alert symbol. It is used to alert you to potential personal injury hazards. Obey all safety messages that follow this symbol to avoid possible injury or death.

SFA Companies  
10939 N. Pomona Ave. Kansas City, MO 64153  
sales@blackhawk-automotive.com

**Read this manual and follow all the Safety Rules and Operating Instructions before using this product.**

Printed in Taiwan  
B65122-M0 rev 11/07

## SAFETY and GENERAL INFORMATION

**Save these instructions.** For your safety, read and understand the information contained within. The owner and operator shall have an understanding of this product and safe operating procedures before attempting to use this product. Instructions and safety information shall be conveyed in operator's native language before use of this product is authorized. Make certain that the operator thoroughly understands the inherent dangers associated with the use and misuse of the product. If any doubt exists as to the safe and proper use of this product as outlined in this factory authorized manual, remove from service immediately.

**Inspect before each use.** It is recommended that, prior to each use, an inspection be done by qualified personnel and that any missing or damaged parts, decals, warning/safety labels or signs be replaced with factory authorized replacement parts only. Any pump that appears to be damaged in any way, is worn, leaking or operates abnormally shall be removed from service immediately until such time as repairs can be made. Owners and operators of this equipment shall be aware that the use and subsequent repair of this equipment may require special training and knowledge.

## PRODUCT DESCRIPTION

Porto-Power Blackhawk Automotive Hand Pumps are engineered to meet most industrial standards for Performance and Safety. These hand pumps have a unique 2 stage hydraulic circuit, which allows quick displacement of hydraulic fluid under no load conditions and easy pumping in loaded conditions. These lever operated pumps supply compressed hydraulic fluid to compatible applications i.e. rams, presses, spreaders, compactors and crimping machines, anywhere that 10,000 PSI of fluid pressure is needed. Special skill, knowledge and training may be required for a specific task and the product may not be suitable for all the jobs described above. Unsuitable applications would include applications that call for a device to move, level or support persons, animals, hazardous materials, mobile homes/ dwellings in general, mirrors and/or plate glass, and/or to connect/secure hatches, components, etc. between bulkheads. The user must ultimately make the decision regarding suitability of the product for any given task and assume the responsibility of safety for himself and others in the work area.

**⚠** Always check connections before using. Alteration of these products is strictly prohibited. Use only those adapters and attachments provided and approved by the manufacturer.

**⚠ WARNING:** To reduce the risk of personal injury and/or property damage, ensure that the rated working pressure of each pressurized attachment be equal to or greater than the rated working pressure developed by the hydraulic pump.

## SPECIFICATIONS

Model	Usable Oil Capacity (in <sup>3</sup> )	Pressure Rating (psi)		Oil Displacement per Stroke (in <sup>3</sup> )		Operating Force (lbs)	Piston Stroke (in)	Mounting Holes Distance (in)	Weight (lbs)
		1st Stage	2nd Stage	1st Stage	2nd Stage				
B65122	21.3	200	10,000	0.18	0.05	88	0.38	2.56	6.6
B65421	61.0			0.81	0.14	130	0.82	3.94	13.2

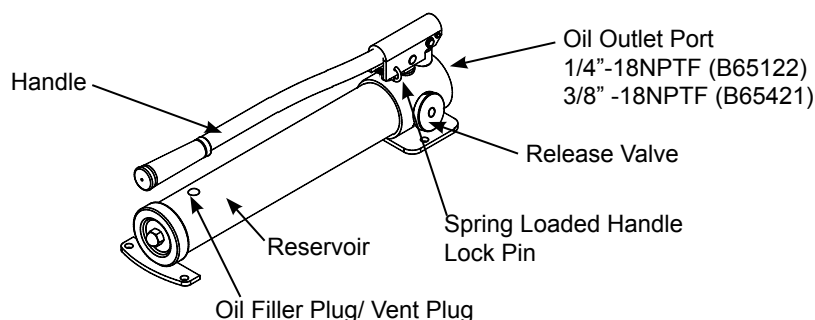


Figure 1 - Typical Hand Pump Components

## WARNING



- Study, understand, and follow all instructions provided with and on this device before use.
- All WARNING statements must be carefully observed to help prevent personal injury.
- No alteration shall be made to this device.
- Always wear protective gear when operating hydraulic equipment.
- Keep hydraulic equipment away from flames and heat. Hydraulic fluid can ignite and burn. Do not operate if leaks are detected.
- **Crush Hazard.** Keep hands and feet away from loading area. Avoid pinch points or crush points that can be created by the load, cylinder, or any equipment of system.
- To avoid crushing and related injuries:  
NEVER work on, under or around a lifted load before it is properly supported by appropriate mechanical means. Never rely on hydraulic pressure alone to support load.

### HYDRAULIC PUMPS

- The user must be a qualified operator familiar with the correct operation, maintenance, and use of pumps. Lack of knowledge in any of these areas can lead to personal injury.
- Do not exceed rated capacity of the pump or any equipment in the system.
- Never attempt to lift a load weighing more than the capacity of the cylinder.
- Burst hazard exists if hose or connection pressure exceeds rated pressure.
- Inspect pump, cylinder, hoses and connections before each use to prevent unsafe conditions from developing. Do not use if they are damaged, altered or in poor condition. Do not operate the system with bent or damaged coupler or damaged threads.
- Never hold or stand directly in line with any hydraulic connections while pressurizing.
- Use gauge or other load measuring instrument to verify load.
- Never attempt to disconnect hydraulic connections under pressure. Release all line pressure before disconnecting hoses.

- Do not subject the pump and its components to shock loads.
- Use only approved accessories and approved hydraulic fluid.
- Never attach ANY component not authorized by manufacturer.
- Always ensure that the chosen application is stable to work on and around.
- Do not connect to application which can return more oil to the reservoir than the pump reservoir can hold.
- Do not connect pump to hydraulic system powered by another pump.
- This device is not suitable for use as support device! As the system load is lifted, use blocking and cribbing to guard against a falling load.
- All personnel must be clear before lowering load or depressurizing the system.
- Never try to disassemble a hydraulic cylinder, refer repairs to qualified, authorized personnel.

### HYDRAULIC HOSES & FLUID TRANSMISSION LINES

- Avoid short runs of straight line tubing. Straight line runs do not provide for expansion and contraction due to pressure and/or temperature changes.
- Reduce stress in tube lines. Long tubing runs should be supported by brackets or clips. Before operating the pump, tighten all hose connections with proper tools. Do not overtighten. Connections should only be tightened securely and leak-free. Overtightening can cause premature thread failure or high pressure fittings to burst.
- Should a hydraulic hose ever rupture, burst or need to be disconnected, immediately shut off the pump and release all pressure. Never attempt to grasp a leaking pressurized hose with your hands. The force of escaping hydraulic fluid can inflict injury.
- Do not subject the hose to potential hazard such as fire, sharp objects, extreme heat or cold, or heavy impact.
- Do not allow the hose to kink, twist, curl, crush, cut or bend so tightly that the fluid flow within the hose is blocked or reduced. Periodically inspect the hose for wear.
- Do not pull, position or move setup by the hose.
- Hose material and coupler seals must be compatible with hydraulic fluid used. Hoses also must not come in contact with corrosive materials such as battery acid, creosote-impregnated objects and wet paint. Never paint a coupler or hose.
- Failure to heed these warnings may result in personal injury as well as property damage.

## BEFORE USE

1. Before using this product, read the instruction manual completely and familiarize yourself thoroughly with the product, its components and recognize the hazards associated with its use.
2. Verify that the product and the application are compatible. Inspect before each use. Do not use if bent, broken, leaking or damaged components are noted.
3. Replace worn or damaged parts and assemblies with Porto-Power Blackhawk Automotive authorized replacement parts only. Lubricate as instructed in Maintenance Section.
4. Ensure method of confirming load is accurate and working properly. Have gauge or load cell accuracy verified by qualified personnel on a yearly basis.
5. Pumps should be stored where protected from the elements, abrasive dust, and damage. Pumps can be stored horizontally or vertically.

## SETUP

1. Prepare the pump for use:
  - Pull spring loaded lock pin, pivot toward rear to unlock the handle (Fig. 2).
  - Remove shipping plug and replace with air vent plug (Fig. 3).
  - Pull vent plug stem upward before use, press down when moving or storing the pump (Fig. 4).
2. Carefully remove the threaded plug from oil outlet port.
3. Connect coupler, fitting or hose of matching threads. Install in-line pressure gauge.

**IMPORTANT!** Use an approved, high-grade pipe sealant to seal all hydraulic connections

4. Check for leaks in system and have repaired by qualified personnel as needed. Before repairs are made, depressurize system by opening the release valve counterclockwise, but no more than 2 full turns.

## OPERATION

**⚠** ALWAYS monitor pressure, load or position using suitable equipment. Pressure may be monitored by means of an optional manifold and gauge. Load may be monitored by means of a load cell and digital indicator. Correct application position can only be determined by the operator of the equipment.

1. Connect the pump to suitable application.
2. Ensure the oil level is correct and the system fittings and connections are leak free before operating the pump.
3. Pump may be used in horizontal and vertical position as illustrated on Figure 5.
4. Close release valve by turning it clockwise. Finger tight ONLY. Using tools on release valve can damage it and cause the pump to malfunction.
5. Pump handle until desired pressure, load or position is reached.
6. Pressure will maintain until the release valve is opened.
7. To retract application, turn the release valve knob slowly counterclockwise (never more than 2 full turns).

**⚠** NEVER operate pump with release valve closed and disconnected from application. If operated in this condition, the hose and connections become pressurized. This increases burst hazard. Damage may occur to pump and its components.

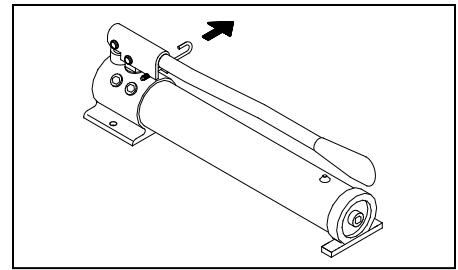


Figure 2 - Pull spring loaded lock pin, pivot toward rear to unlock pump handle.

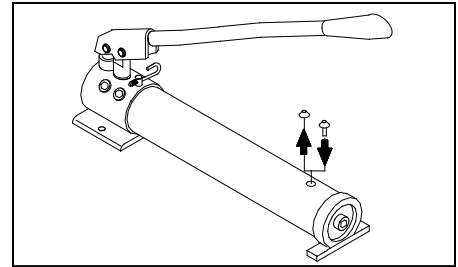


Figure 3 - Remove shipping plug and replace with air vent plug before initial use.

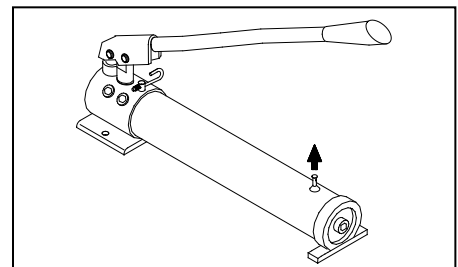


Figure 4 - Pull stem upward before use, press down when moving or storing pump.

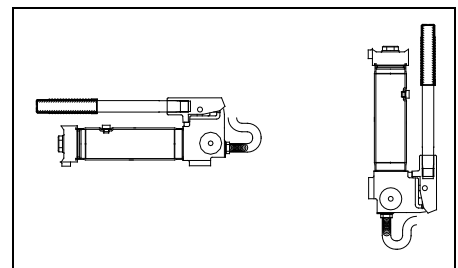


Figure 5 - Horizontal and Vertical Position

## MAINTENANCE

1. Inspect hoses and connections daily. Replace damaged components immediately with Porto-Power Blackhawk replacement parts only.
2. Tighten connections as needed. Use pipe thread sealing compound when servicing connections.
3. Use only good quality hydraulic fluid. We recommend Hein-werner HW93291 or equivalent. **Never** use brake fluid, transmission fluid, turbine oil, motor oil, alcohol, glycerin etc. Use of other than good quality hydraulic oil will void warranty and damage the pump, hose, and application.

### Adding Hydraulic Fluid

1. Depressurize and disconnect hydraulic hose from application.
2. With pump in its upright, horizontal position, remove vented oil filler plug located on top of the reservoir.
3. Use a small funnel to fill reservoir to within 1/4" (6 mm) of the opening.
4. Wipe up any spilled fluid and reinstall the vented oil filler plug.

### Changing Hydraulic Fluid

For best results, change fluid once a year.

1. With pump in its upright, horizontal position, remove vented oil filler plug located on top of the reservoir, then pour used fluid into a sealable container.
2. Dispose of fluid in accordance with local regulations.
3. Fill with a good quality hydraulic jack oil as recommended above. Reinstall vented oil filler plug.

### Lubrication

Use a light machine oil to lubricate pivot points, hinges etc.

### Storage

1. When not in use, depressurize and disconnect hoses from application.
2. Wipe clean, thoroughly
3. Store in clean, dry environment. Avoid temperature extremes. Lock handle into position using the spring loaded locking pin mechanism.
4. Shield pump with a protective cover.

## TROUBLESHOOTING GUIDE

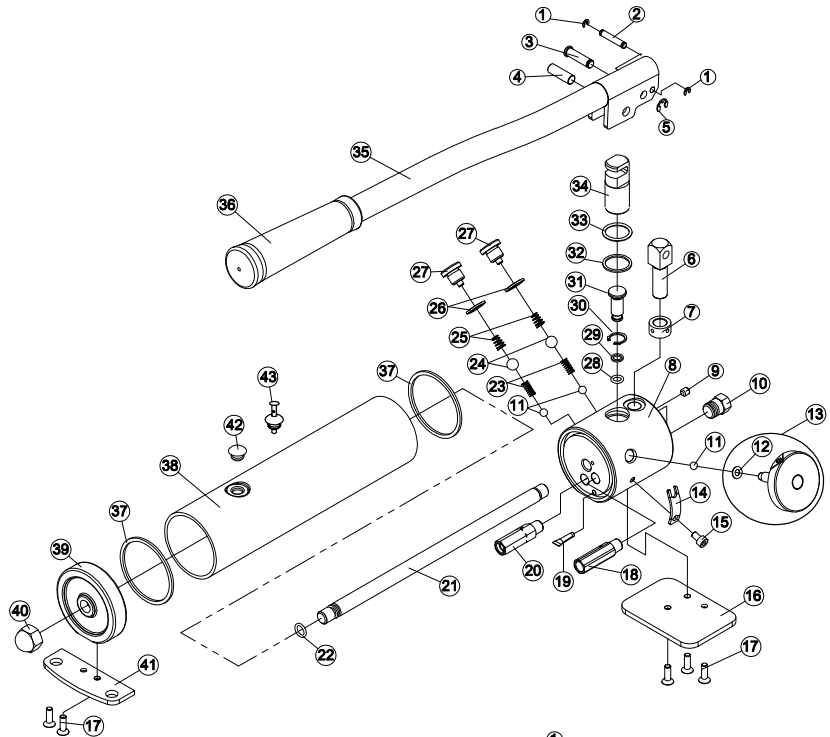
The following information is intended as an aid in determining if problem exists. Pumps should be repaired only by authorized Porto-Power Blackhawk Automotive Service Center. For repair service, contact service center in your area.

Symptom	Possible Causes	Corrective Action
Erratic application action	<ul style="list-style-type: none"> <li>• Air in the system.</li> <li>• External leak.</li> <li>• Internal hydraulic leak.</li> </ul>	<ul style="list-style-type: none"> <li>• Vent the system.</li> <li>• Tighten all connections.</li> <li>• Contact service center.</li> </ul>
Application does not extend, move or respond to pressurized fluid	<ul style="list-style-type: none"> <li>• Overload condition.</li> <li>• Release valve not closed.</li> <li>• Loose couplers/connections.</li> <li>• Faulty couplers/connections.</li> <li>• Pump malfunction.</li> </ul>	<ul style="list-style-type: none"> <li>• Remedy overload condition.</li> <li>• Ensure release valve closed.</li> <li>• Tighten couplers/connections.</li> <li>• Replace couplers/connections.</li> <li>• Contact service center.</li> </ul>
Application responds to pressurized fluid, but system does not maintain pressure	<ul style="list-style-type: none"> <li>• Overload condition.</li> <li>• Release valve not closed.</li> <li>• Pump or valve malfunction.</li> <li>• Application/connection leaking.</li> </ul>	<ul style="list-style-type: none"> <li>• Remedy overload condition.</li> <li>• Ensure release valve closed.</li> <li>• Contact Service Center.</li> <li>• Replace application/connection.</li> </ul>
Application responds slower than normal	<ul style="list-style-type: none"> <li>• Loose connection or coupler.</li> <li>• Restricted hydraulic line or fitting.</li> <li>• Application/connection leaking.</li> </ul>	<ul style="list-style-type: none"> <li>• Tighten connection or coupler.</li> <li>• Clean and replace if damaged.</li> <li>• Replace application/connection.</li> </ul>
Application does not return fluid to pump (i.e. cylinder will not retract)	<ul style="list-style-type: none"> <li>• Malfunctioning coupler, damaged application.</li> <li>• Reservoir overfilled.</li> </ul>	<ul style="list-style-type: none"> <li>• Secure load by other means. Open release valve, depressurize pump and hose, remove coupler and/or application, then renew or replace.</li> <li>• Secure load by other means. Open release valve, depressurize pump and hose, remove application, then drain fluid to proper level.</li> </ul>
Poor performance	<ul style="list-style-type: none"> <li>• Fluid level in pump is low.</li> </ul>	<ul style="list-style-type: none"> <li>• Ensure proper fluid level.</li> </ul>

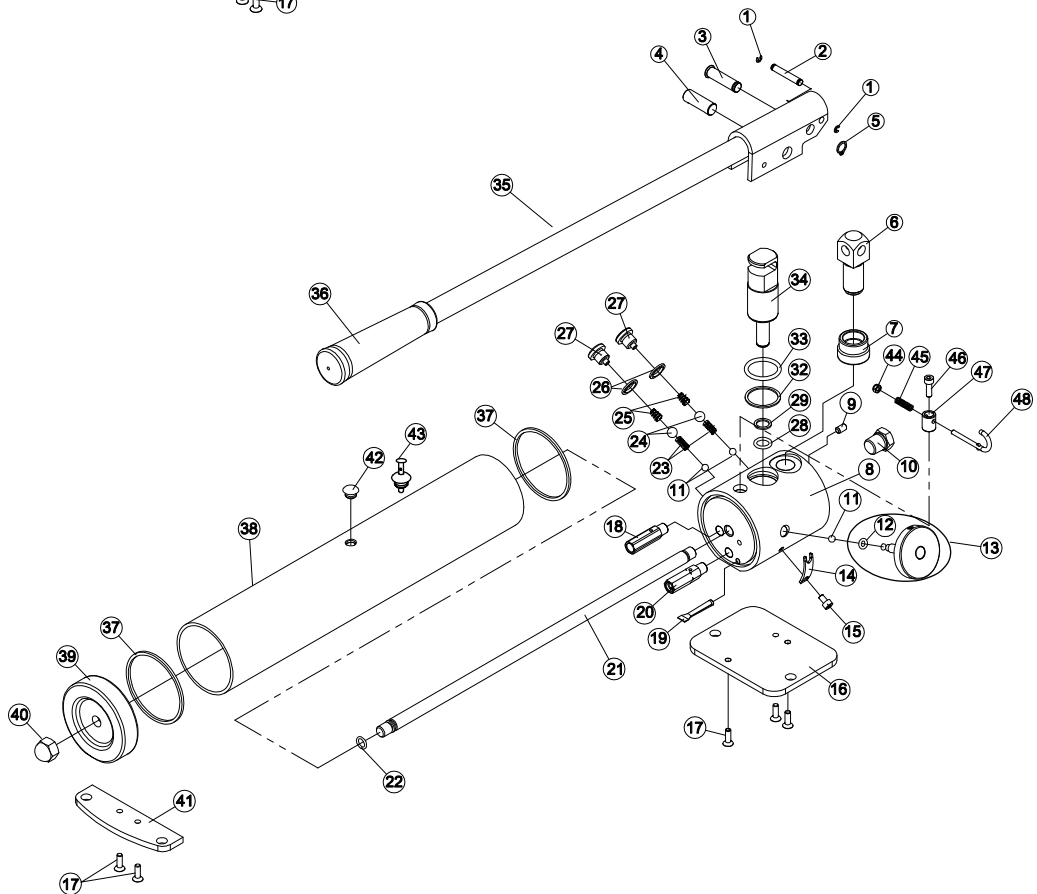
## REPLACEMENT PARTS

Not all components of the pump are replacement items, but are illustrated as a convenient reference of location and position in the assembly sequence. When ordering parts, give model number, serial number and description below. Call or write for current pricing: SFA Companies 10939 N. Pomona Ave. Kansas City, MO 64153, U.S.A. Tel:(816)891-6390 Fax:(816)891-6599 E-Mail: sales@blackhawk-automotive.com.

### Model B65122:



### Model B65421:



## Replacement Parts List:

Item	Part# for B65122	Part# for B65421	Description	Qty
1	677-5-0030-109	677-5-0040-102	E-clip	2
2	H39-5-2111-100	H18-5-1318-104	Pin	1
3	H39-6-2111-106	H18-6-1318-100	Pin	1
4	H39-6-1602-100	H18-6-1602-201	Pin, Piston	1
5	677-5-0060-108	-	E-clip	1
	-	667-5-0100-005	C-clip	1
6	H39-6-2108-208	H18-6-2108-306	Pillar	1
7	H39-6-2109-109	H18-6-2109-106	Bushing	1
8	N/A		Base	1
9	644-1-0060-053	644-1-0060-071	Socket Screw	1
10	H39-5-8104-103	D05-6-1001-106	Threaded Plug	1
11	601-7-0008-009		Steel Ball	3
12	*		O-ring	1
13	H18-3-1603-101		Release Valve Knob	1
14	H39-6-1308-100	H18-6-1308-107	Iron Plate	1
15	649-1-0050-028		Screw	1
16	H39-6-1603-102	H18-5-1602-101	Base Plate	1
17	651-1-0050-103		Screw	5
18	H18-4-1902-107	H18-4-1902-107	Low Pressure Valve	1
19	532-8-0040-012	532-8-0050-024	Filter	1
20	H18-4-1901-105	H18-4-1901-105	High Pressure Valve	1
21	H39-6-4401-105	H18-5-4401-207	Steel Rod	1
22	*		O-ring	1
23	512-2-0063-104		Compressing Spring	2
24	601-7-0012-000		Steel Ball	2
25	552-2-0080-106		Bevel Compressing Spring	2
26	*		Special Washer	2
27	H18-6-1215-100		Socket Screw	2
28	*		O-ring	1
29	*		Back-up Ring	1
30	666-5-0150-204	-	C-clip	1
31	H39-5-1307-102	-	Piston	1
32	*		Back-up Ring	1
33	*		O-ring	1
34	H39-5-1606-102	H18-3-1306-105	Pump Piston	1
35	H39-4-2100-109	H18-4-2102-100	Handle w/ Grip	1
36	H18-6-2112-105		Handle Grip	1
37	*		Washer	2
38	H39-6-1803-100	H18-6-1803-107	Reservoir	1
39	H39-6-1501-104	H18-5-1501-105	End Cap	1
40	671-2-0100-205		Nut	1
41	H39-6-1502-207	H18-5-1502-208	Mounting Plate	1
42	505-9-0092-207		Shipping Plug	1
43	H18-4-4000-102		Air Vent Plug/Screw	1
44	-	661-2-0040-012	Nut	1
45	-	512-2-0060-016	Compressing Spring	1
46	-	649-1-0050-037	Screw	1
47	-	H18-6-1322-101	Hook Base	1
48	-	H18-6-1321-200	Hook	1
(*)	H39-3-9901-102	H18-3-9902-101	Seal Kit	1

(\*) - indicates items included in, and available only as part of Seal Kit

N/A - part is not available as replacement

(-) - items not exist

## ONE YEAR LIMITED WARRANTY

For a period of one (1) year from date of purchase, SFA Companies will repair or replace, at its option, without charge, any of its products which fails due to a defect in material or workmanship under normal usage. This limited warranty is a consumer's exclusive remedy.

Performance of any obligation under this warranty may be obtained by returning the warranted product, freight prepaid, to SFA Companies Warranty Service Department, 10939 N. Pomona Ave., Kansas City, MO 64153.

Except where such limitations and exclusions are specifically prohibited by applicable law.

- (1) THE CONSUMER'S SOLE AND EXCLUSIVE REMEDY SHALL BE THE REPAIR OR REPLACEMENT OF DEFECTIVE PRODUCTS AS DESCRIBED ABOVE.
- (2) SFA COMPANIES SHALL NOT BE LIABLE FOR ANY CONSEQUENTIAL OR INCIDENTAL DAMAGE OR LOSS WHATSOEVER.
- (3) ANY IMPLIED WARRANTIES, INCLUDING WITHOUT LIMITATION THE IMPLIED WARRANTIES OF MERCHANTABILITY AND FITNESS FOR A PARTICULAR PURPOSE, SHALL BE LIMITED TO ONE YEAR, OTHERWISE THE REPAIR, REPLACEMENT OR REFUND AS PROVIDED UNDER THIS EXPRESS LIMITED WARRANTY IS THE EXCLUSIVE REMEDY OF THE CONSUMER, AND IS PROVIDED IN LIEU OF ALL OTHER WARRANTIES, EXPRESS OR IMPLIED.
- (4) ANY MODIFICATION, ALTERATION, ABUSE, UNAUTHORIZED SERVICE OR ORNAMENTAL DESIGN VOIDS THIS WARRANTY AND IS NOT COVERED BY THIS WARRANTY.

Some states do not allow limitations on how long an implied warranty lasts, so the above limitation may not apply to you. Some states do not allow the exclusion or limitation of incidental or consequential damages, so the above limitation or exclusion may not apply to you. This warranty gives you specific legal rights, and you may also have other rights which vary from state to state.



Porto-Power Blackhawk Automotive is a licensed trademark

SFA Companies  
10939 N. Pomona Ave. Kansas City, MO 64153  
816-891-6390  
[sales@blackhawk-automotive.com](mailto:sales@blackhawk-automotive.com)