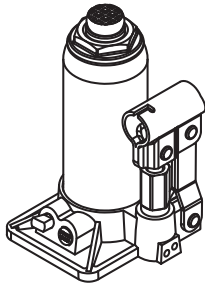
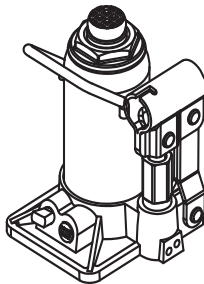


### Operating Instructions & Parts Manual

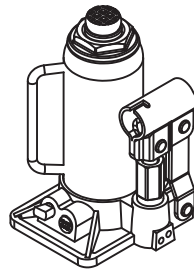
Models: B-002D, B-004D B-006D B-008D, B-012D, B-020D, B-S12D, B-S20D



Models B-002D, B-004D, B-006D



Models B-S12D, B-S20D



Models B-008D, B-012D, B-020D



*This is the safety alert symbol. It is used to alert you to potential personal injury hazards. Obey all safety messages that follow this symbol to avoid possible injury or death.*

#### **!WARNING**



*To avoid crushing and related injuries: NEVER work on, under or around a load supported only by a hydraulic jack. ALWAYS use a matched pair of adequately rated jack stands.*

- ⚠ **WARNING:** Cancer and Reproductive Harm.
- ⚠ **AVERTISSEMENT:** Cancer et dommages au système reproducteur.
- ⚠ **ADVERTENCIA:** Cáncer y daño reproductivo.

[www.P65Warnings.ca.gov](http://www.P65Warnings.ca.gov)

Read this manual and follow all the Safety Rules and Operating Instructions before using this product.

## SAFETY AND GENERAL INFORMATION

**Save these instructions.** For your safety, read, understand, and follow the information provided with and on this device before using. The owner and/or operator shall have an understanding of the device, its operating characteristics and safety operating instructions before operating the equipment. The owner and/or operator shall be aware that use and repair of this product may require special skills and knowledge. Instructions and safety information shall be read to and discussed with the operator in the operator's native language, making sure that the operator comprehends their contents, before use of this equipment is authorized. If any doubt exists as to the safe and proper use of this device, remove from service immediately.

**Inspect before each use.** Do not use if abnormal conditions such as cracked welds, damaged, loose or missing parts are noted. Any equipment that appears damaged in any way, is found to be worn, or operates abnormally shall be removed from service until repaired. If the equipment has been or is suspected to have been subjected to an abnormal load or shock, immediately discontinue use until inspected by a factory authorized repair facility (contact distributor or manufacturer for list of authorized repair facilities). It is recommended that an annual inspection be made by an authorized repair facility. Labels and Operator's Manuals are available from the manufacturer.

## PRODUCT DESCRIPTION

Pro-Lift Hydraulic Bottle Jacks are designed to lift, not support, rated capacity loads consisting of one end of a vehicle. Immediately after lifting, the load must be supported by a matched pair of appropriately rated jack stands.

**⚠ WARNING:** *Never use hydraulic jack as a stand alone device. After lifting, immediately support the lifted load with a matched pair of appropriately rated jack stands.*

## SPECIFICATIONS

Model	Capacity	Base Size (L x W)	Min. Height	Max. Height	Extension Screw
B-002D	2 Ton	3-1/2" x 3-5/8"	7-1/8"	13-5/8"	1-7/8"
B-004D	4 Ton	4-1/4" x 4"	8"	15-1/2"	2-3/8"
B-006D	6 Ton	4-5/8" x 4-3/8"	8-1/2"	16-5/8"	3"
B-008D	8 Ton	4-5/8" x 4-5/8"	8-7/8"	17-1/4"	2-3/4"
B-012D	12 Ton	5-1/2" x 5-3/8"	9-1/2"	18-3/4"	3-1/8"
B-S12D	12 Ton	5-1/2" x 5-3/8"	6"	10 5/8"	1-5/8"
B-020D	20 Ton	6-3/8" x 6"	9-1/2"	18-3/4"	3-1/8"
B-S20D	20 Ton	6-3/8" x 6"	6-1/2"	11"	1-5/8"

## PREPARATION

### Before Use

1. Before using this product, read the operator's manual completely and familiarize yourself thoroughly with the product, its components and recognize the hazards associated with its use.
2. Verify that the product and application are compatible, if in doubt call Pro-Lift Technical Service (888) 332-6419.
3. Assemble handle, ensure spring clips align with slots.
4. To familiarize yourself with basic operation, use the notched end of provided Pump Handle to engage and turn the Release Valve:
  - a. *Clockwise* until firm resistance is felt to further turning. This is the '**CLOSED**' Release Valve position used to raise the ram plunger.
  - b. *Counter-clockwise*, but no more than 1/2 turn from the closed position. This is the '**OPEN**' Release Valve position used to lower the Ram Plunger.
5. With Ram Plunger fully retracted and release valve closed, pump the operating handle. If Ram Plunger responds immediately, jack is ready for use. If jack does not respond, follow **Bleeding/Venting Trapped Air** instruction below.
6. Check that the pump operates smoothly and that the Extension Screw will thread up/down easily before putting into service. Replace worn or damaged parts and assemblies with Pro-Lift authorized replacement parts only.

### Bleeding/Venting Trapped Air

With the Release Valve in the OPEN position (step 4b above) and with Ram Plunger fully lowered, locate and remove the Oil Filler Plug/Screw. Insert the Pump Handle into the Handle Sleeve; then pump 6 to 8 full strokes. This will help release any pressurized air which may be trapped within the reservoir. Oil level should be even with the bottom of the oil filler hole. Reinstall the Oil Filler Plug/Screw.

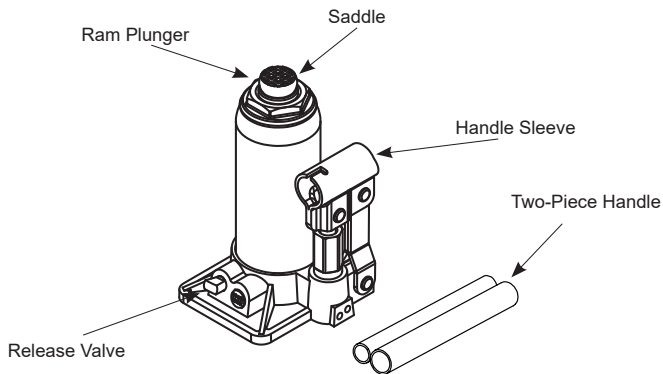


Figure 1 - Typical Bottle Jack Nomenclature (B-002D shown)

## **⚠WARNING**

- Study, understand, and follow all instructions before operating this device.
- Do not exceed rated capacity.
- Use only on hard, level surface capable of supporting the load.
- This is a lifting device only. Immediately after lifting, support the load with appropriate means.
- Lift only on areas of the vehicle as specified by the vehicle manufacturer.
- No alterations shall be made to this product.
- Only attachments and/or adapters supplied by the manufacturer shall be used.
- Failure to heed these markings may result in personal injury and/or property damage.

## **⚠WARNING**



To avoid crushing and related injuries:

- Never work on, under or around a load supported only by hydraulic jack.
- Always use adequately rated jack stands.
- Chock each unlifted tire in both directions.
- Do not use this device to lift, level, lower, support nor move a house, mobile home, travel trailer, camper or any building structure.
- Be alert and sober when using this product. Do not operate under the influence of drugs or alcohol.

## **OPERATION**

### **Raising the Ram Plunger**

1. Assemble Pump Handle, align spring clips with corresponding slots.
2. Place vehicle in park, with emergency brake on and wheels securely chocked to prevent inadvertent vehicle movement.
3. Locate and close Release Valve by turning Pump Handle clockwise until firm resistance is felt.
4. Verify lift point, center jack Saddle under lift point.
5. Insert Pump Handle into Handle Sleeve and pump to contact lift point. To lift, continue pumping until load reaches desired height.
6. Transfer the lifted load to a matched pair of appropriately rated jack stands.

**NOTICE:** Use Pump Handle provided by jack manufacturer. The handle provided with this jack will safely engage the release valve and operate the Handle Sleeve. If handle is worn, operates abnormally, or will not positively engage the release valve, STOP, discontinue use of the jack until a factory replacement handle can be acquired.

### **Lowering**

**⚠ WARNING:** Clear all tools and personnel before lowering load. Open release valve slowly. The further handle is turned counter-clockwise, the faster the load will descend. Maintain control of the load at all times.

1. Raise load high enough to clear the jack stands, then carefully remove jack stands.
2. Slowly turn the Pump Handle counter-clockwise, but no more than 1/2 turn. *If the load fails to lower:*
  - a. Use another jack to raise the vehicle high enough to reinstall jack stands.
  - b. Remove the affected jack and then the stands.
  - c. Use the functioning jack to lower the vehicle.
3. After removing jack from under the load, push Ram Plunger and Handle Sleeve down to reduce exposure to rust and contamination.

## MAINTENANCE

**NOTICE:** Use only good quality hydraulic jack oil. Avoid mixing different types of fluid and NEVER use brake fluid, turbine oil, transmission fluid, motor oil or glycerin. Improper fluid can cause premature failure of the jack and the potential for sudden and immediate loss of load. Premium hydraulic jack oil is recommended.

### Adding oil

1. With Ram Plunger fully lowered and pump piston fully depressed, set jack in its upright, level position. Remove Oil Filler Plug/Screw.
2. Fill with oil until just below the rim of the oil filler hole. Reinstall the Oil Filler Plug/Screw.

### Changing oil

For best performance and longest life, replace the complete fluid supply at least once per year.

1. With Ram Plunger fully lowered and pump piston fully depressed, remove the Oil Filler Plug/Screw.
2. Lay the jack on its side and drain the fluid into a suitable container.

**NOTICE:** Dispose of hydraulic oil in accordance with local environmental regulations.

3. Fill with oil until just below the rim of oil filler hole.
4. Perform Bleeding/Venting Trapped Air procedure (page 3). Reinstall the Oil Filler Plug/Screw.

### Lubrication

A periodic coating of light lubricating oil to pivot points, axles and hinges will help to prevent rust and assure that pump assemblies move freely.

### Cleaning

Periodically check the pump piston and Ram Plunger for signs of rust or corrosion. Clean as needed and wipe with an oily cloth.

**NOTICE:** Do not use sandpaper or abrasive material on ram or pump piston surfaces.

### Storage

When not in use, store the jack with pump piston and Ram Plunger fully retracted and air supply disconnected.

## TROUBLESHOOTING

Symptom	Possible Causes	Corrective Action
Jack will not lift load	<ul style="list-style-type: none"> <li>• Release Valve not tightly closed</li> <li>• Overload condition</li> </ul>	<ul style="list-style-type: none"> <li>• Ensure Release Valve tightly closed</li> <li>• Remedy overload condition</li> </ul>
Jack will lift, but not maintain pressure	<ul style="list-style-type: none"> <li>• Release Valve not tightly closed</li> <li>• Hydraulic unit malfunction</li> </ul>	<ul style="list-style-type: none"> <li>• Ensure Release Valve tightly closed</li> <li>• Contact Pro-Lift Tech. Service</li> </ul>
Jack will not lower after unloading	<ul style="list-style-type: none"> <li>• Reservoir overfilled</li> </ul>	<ul style="list-style-type: none"> <li>• Ensure load is removed, then drain fluid to proper level</li> </ul>
Poor lift performance	<ul style="list-style-type: none"> <li>• Fluid level low</li> <li>• Air trapped in system</li> </ul>	<ul style="list-style-type: none"> <li>• Ensure proper fluid level</li> <li>• Follow <b>Bleeding/Venting Trapped Air</b> procedure on page 3</li> </ul>
Will not lift to full extension	<ul style="list-style-type: none"> <li>• Fluid level low</li> </ul>	<ul style="list-style-type: none"> <li>• Ensure proper fluid level</li> </ul>

# REPLACEMENT PARTS

Not all components of the jack are replacement items. When ordering parts, give Model number, serial number and parts description. Call or write for current pricing: SFA Companies Inc. 10939 N. Pomona Ave. Kansas City, MO 64153, U.S.A. Tel:(888)332-6419 Fax:(816)891-6599 e-mail: sales@ProLiftProducts.com  
Pro-Lift Website: www.ProLiftProducts.com

## Replacement Parts List for Models B-002D, B-004D, B-006D

Item	Part No. for Models: B-002D, B-004D & B-006D	Description	Qty
1	F36100-0001	Oil Plug- Not Shown	1
2	B-006D-2	Handle Assembly	1

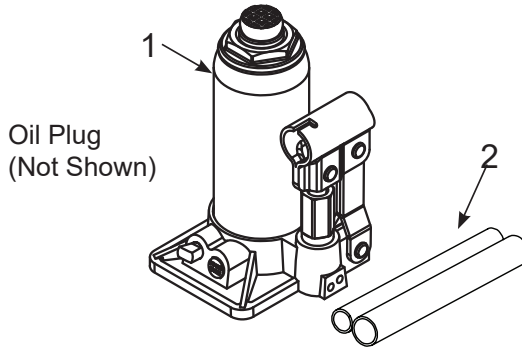


Figure 2 - Illustration for Models B-002D, B-004D & B-006D

## ONE YEAR LIMITED WARRANTY

For a period of one (1) year from date of purchase, **SFA Companies, Inc.** will repair or replace, at its option, without charge, any of its products which fails due to a defect in material or workmanship under normal usage. This limited warranty is a consumer's exclusive remedy.

Performance of any obligation under this warranty may be obtained by returning the warranted product, freight prepaid, to **SFA Companies, Inc.** Warranty Service Department, 10939 N. Pomona Ave., Kansas City, MO 64153.

Except where such limitations and exclusions are specifically prohibited by applicable law, (1) THE CONSUMER'S SOLE AND EXCLUSIVE REMEDY SHALL BE THE REPAIR OR REPLACEMENT OF DEFECTIVE PRODUCTS AS DESCRIBED ABOVE. (2) **SFA Companies, Inc.** SHALL NOT BE LIABLE FOR ANY CONSEQUENTIAL OR INCIDENTAL DAMAGE OR LOSS WHATSOEVER. (3) ANY IMPLIED WARRANTIES, INCLUDING WITHOUT LIMITATION THE IMPLIED WARRANTIES OF MERCHANTABILITY AND FITNESS FOR A PARTICULAR PURPOSE, SHALL BE LIMITED TO ONE YEAR. OTHERWISE THE REPAIR, REPLACEMENT OR REFUND AS PROVIDED UNDER THIS EXPRESS LIMITED WARRANTY IS THE EXCLUSIVE REMEDY OF THE CONSUMER, AND IS PROVIDED IN LIEU OF ALL OTHER WARRANTIES, EXPRESS OR IMPLIED. (4) ANY MODIFICATION, ALTERATION, ABUSE, UNAUTHORIZED SERVICE OR ORNAMENTAL DESIGN VOIDS THIS WARRANTY AND IS NOT COVERED BY THIS WARRANTY.

Some states do not allow limitations on how long an implied warranty lasts, so the above limitation may not apply to you. Some states do not allow the exclusion or limitation of incidental or consequential damages, so the above limitation or exclusion may not apply to you. This warranty gives you specific legal rights, and you may also have other rights, which vary from state to state.

---

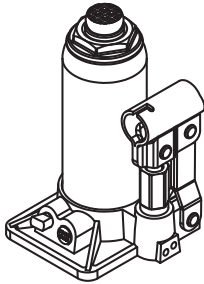
SFA Companies  
10939 N. Pomona Ave. Kansas City, MO 64153  
888-332-6419  
sales@ProLiftProducts.com



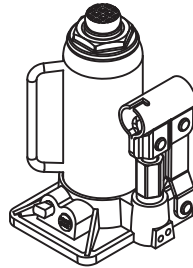
# Pro-Lift®

## Crics-bouteilles hydrauliques

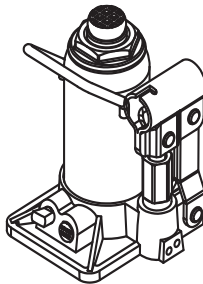
Modèles : B-002D, B-004D, B-006D, B-008D, B-012D, B-020D, B-S12D, B-S20D



Modèles B-002D, B-004D, B-006D



Modèles B-008D, B-012D, B-020D



Modèles B-S12D, B-S20D



Voici le symbole signalant un danger pour la sécurité. Il est utilisé pour vous alerter des dangers potentiels de blessures.

Respectez tous les messages de sécurité qui suivent ce symbole afin d'éviter les blessures et la mort.

### ⚠ MISE EN GARDE



Pour éviter un écrasement et les blessures en lien avec celui-ci :

Ne travaillez **JAMAIS** autour d'une charge, en dessous d'elle ou sur celle-ci, si elle est supportée seulement par un cric hydraulique. Utilisez **TOUJOURS** une paire appariée de béquilles de cric dont la capacité nominale est adéquate.

SFA Companies  
www.ProLiftProducts.com

Lisez ce manuel et observez toutes les consignes de sécurité et d'utilisation avant d'utiliser ce produit.

## INFORMATIONS GÉNÉRALES ET INFORMATIONS RELATIVES À LA SÉCURITÉ

**Conservez ces instructions.** Pour votre sécurité, lisez, comprenez et respectez toutes les consignes fournies avec cet appareil ou se trouvant sur celui-ci avant de l'utiliser. Le propriétaire, ainsi que l'utilisateur, doit comprendre le fonctionnement de l'appareil, ses caractéristiques de fonctionnement et les consignes de sécurité associées à son utilisation avant de s'en servir. Ces personnes doivent aussi savoir que, pour utiliser ou réparer ce produit, il peut être nécessaire d'avoir des connaissances ou des habiletés spéciales. Avant que l'utilisation de cet appareil ne soit autorisée, il faut lire, dans la langue maternelle de l'opérateur, les instructions et les informations relatives à la sécurité pour qu'il en prenne connaissance et discuter de celles-ci avec lui, de manière à s'assurer qu'il les comprend. S'il y a des doutes quant à la façon adéquate et sécuritaire de se servir de l'appareil, il faut en cesser l'utilisation immédiatement.

**Inspectez avant chaque utilisation.** N'utilisez pas l'appareil s'il est dans un état anormal, comme lorsqu'il y a des soudures fissurées, des dommages ou des pièces manquantes ou mal fixées. Tout appareil qui semble être endommagé d'une quelconque façon, est usé ou fonctionne de manière anormale ne doit plus être utilisé jusqu'à ce qu'il soit réparé. Si le cric a été soumis ou s'il y a des raisons de croire qu'il a été soumis à une charge ou à un choc anormal, cessez de l'utiliser immédiatement jusqu'à ce qu'il soit inspecté à un centre de réparation autorisé par le fabricant (communiquez avec le distributeur ou le fabricant pour avoir une liste des endroits autorisés). Il est recommandé qu'une inspection annuelle soit faite à un centre autorisé. Il est possible de se procurer d'autres étiquettes et d'autres manuels auprès du fabricant.

## DESCRIPTION DU PRODUIT

Les crics-bouteilles hydrauliques Pro-Lift sont conçus pour soulever, et non supporter, une charge égale à leur capacité nominale, soit la masse d'une extrémité de véhicule. La charge doit être supportée par une paire appariée de béquilles de cric à capacité nominale adéquate immédiatement après le levage.

**⚠ AVERTISSEMENT :** *N'utilisez jamais un cric hydraulique comme seul dispositif de soutien. Après le levage, faites reposer immédiatement la charge soulevée sur une paire appariée de béquilles de cric à capacité nominale adéquate.*

## SPÉCIFICATIONS

Modèles	Capacité	Dimensions de la base (L x l)	Hauteur min.	Hauteur max.	Vis de rallonge
B-002D	1 814 kg (2 tonnes américaines)	8,90 x 9,30 cm (3-1/2 x 3-5/8po)	1,81 cm (7-1/8 po)	34,50 cm (13-5/8 po)	4,80 cm (1-7/8po)
B-004D	3 629 kg (4 tonnes américaines)	10,80 x 10,03 cm (4-1/4 x 4po)	20,30 cm (8 po)	39,40 cm (15-1/2po)	6,00 cm (2-3/8po)
B-006D	5 443 kg (6 tonnes américaines)	11,60 x 11,10 cm (4-5/8 x 4-3/8po)	21,60 cm (8-1/2 po)	42,20 cm (16-5/8po)	7,60 cm (3po)
B-008D	7257 kg (8 tonnes américaines)	11,80 x 11,70 cm (4-5/8 x 4-5/8po)	22,40 cm (8-7/8po)	44,10 cm (17-1/4po)	7,00 cm (2-3/4po)
B-012D	10886 kg (12 tonnes américaines)	13,90 x 13,40 cm (5-1/2 x 5-3/8po)	24,20 cm (9-1/2po)	47,70 cm (18-3/4po)	8,00 cm (3-1/8po)
B-S12D	10886 kg (12 tonnes américaines)	13,90 x 13,40 cm (5-1/2 x 5-3/8po)	15,40 cm (6po)	27,10 cm (10-5/8po)	4,00 cm (1-5/8po)
B-020D	18143 kg (20 tonnes américaines)	16,00 x 15,30 cm (6-3/8 x 6po)	24,20 cm (9-1/2po)	47,20 cm (18-3/4po)	8,00 cm (3-1/8po)
B-S20D	18143 kg (20 tonnes américaines)	16,00 x 15,30 cm (6-3/8 x 6po)	16,50 cm (6-1/2po)	28,1 cm (11po)	4,10 cm (1-5/8po)

## PRÉPARATION

### Avant l'utilisation

1. Avant d'utiliser ce produit, lisez le manuel d'utilisation au complet et familiarisez-vous parfaitement avec le produit et ses composants, et identifiez les dangers associés à son utilisation.
2. Vérifiez que le produit et son utilisation sont compatibles. Si vous avez des doutes, appelez le soutien technique pour les produits Pro-Lift au 1 888 332-6419.
3. Assemblez le levier et assurez-vous que les agrafes-ressorts sont alignées sur les fentes.
4. Afin de vous familiariser avec le fonctionnement de base du cric, utilisez l'extrémité du levier avec une encoche pour enclencher et tourner la soupape de surpression :
  - a. Dans le sens *horaire* jusqu'à ce que vous sentiez une forte résistance au mouvement. C'est la position « **FERMÉE** » de la soupape de surpression utilisée pour soulever le vérin à piston plongeur.
  - b. Dans le sens *antihoraire*, mais pas plus d'un demi-tour à partir de la position fermée. C'est la position « **OUVERTE** » de la soupape de surpression utilisée pour abaisser le vérin à piston plongeur.
5. Lorsque le vérin à piston plongeur est complètement rentré et que la soupape de surpression est fermée, pesez sur le levier. Si le vérin à piston plongeur réagit immédiatement, le cric peut maintenant être utilisé. Si ce n'est pas le cas, suivez les instructions de la section **Purge de l'air emprisonné** ci-dessous.
6. Vérifiez que le levier fonctionne parfaitement et que la vis de rallonge peut être vissée ou dévissée facilement avant d'utiliser le cric. Remplacez les pièces et les assemblages usés ou endommagés seulement par des pièces de rechange autorisées par Pro-Lift.

### Purge de l'air emprisonné

Lorsque la soupape de surpression est à la position OUVRETE (étape 4 b. ci-dessus) et que le vérin à piston plongeur est à son niveau minimal, trouvez et enlevez le bouchon ou la vis de remplissage d'huile. Insérez le levier dans la douille de la poignée, puis abaissez et levez le levier le plus possible de six à huit fois. Cela va faciliter la libération de tout air pressurisé pouvant être emprisonné dans le réservoir. Le niveau d'huile devrait se situer à la hauteur du fond du trou de remplissage d'huile. Remettez le bouchon ou la vis.

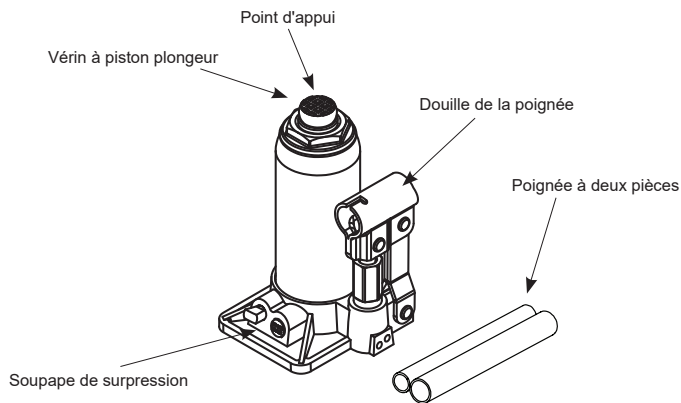


Figure 1 : Pièces d'un cric-bouteille typique (modèle B-002D)

## ⚠ MISE EN GARDE

- Lisez, comprenez et respectez toutes les instructions avant d'utiliser ce produit.
- Ne dépassez pas la capacité nominale.
- Utilisez le produit seulement sur des surfaces dures et de niveau capable de supporter la charge.
- Cet appareil doit seulement être utilisé à des fins de levage. Immédiatement après le levage, faites en sorte que le véhicule soit supporté par un moyen adéquat.
- Utilisez le cric seulement aux points de levage indiqués par le fabricant du véhicule.
- Ne modifiez pas cet appareil.
- Utilisez seulement les accessoires et les adaptateurs fournis par le fabricant.
- Le non-respect des consignes peut entraîner des blessures et des dommages matériels.

## ⚠ MISE EN GARDE



Pour éviter un écrasement et les blessures en lien avec celui-ci :

- Ne travaillez jamais autour d'une charge, en dessous d'elle ou sur celle-ci, si elle est supportée seulement par un cric hydraulique.
- Utilisez TOUJOURS des béquilles de cric dont la capacité nominale est adéquate.
- Mettez des cales à l'avant et à l'arrière des pneus non soulevés.
- N'utilisez pas cet appareil pour soulever, mettre à niveau, abaisser, supporter ou déplacer une maison, une maison mobile, une caravane classique, une roulotte ou une structure d'édifice.
- Soyez vigilant et sobre lorsque vous utilisez ce produit. Ne vous en servez pas si vous avez consommé de l'alcool ou de la drogue.

## FONCTIONNEMENT

### Soulever le vérin à piston plongeur

1. Assemblez le levier et alignez les agrafes-ressorts sur les fentes correspondantes.
2. Immobilisez le véhicule en serrant le frein de stationnement et en plaçant des cales à l'avant et à l'arrière des roues pour empêcher les mouvements non désirés.
3. Trouvez et fermez la soupape de surpression en tournant le levier dans le sens horaire jusqu'à ce que vous sentiez une bonne résistance.
4. Vérifiez le point de levage et centrez le point d'appui du cric sous celui-ci.
5. Insérez le levier dans la douille de la poignée. Abaissez et levez le levier pour que le point d'appui entre en contact avec le point de levage. Pour soulever le véhicule, continuez à abaisser et à lever le levier jusqu'à ce que la charge atteigne la hauteur désirée.
6. Après le levage, faites reposer immédiatement la charge soulevée sur une paire appariée de béquilles de cric à capacité nominale adéquate.

**AVIS :** Utilisez le levier fourni par le fabricant du cric. Celui-ci permet d'enclencher la soupape de surpression et fait fonctionner la douille de la poignée de manière sécuritaire. Si le levier est usé, fonctionne de manière anormale ou si la soupape ne s'enclenche pas, **CESSEZ** d'utiliser le cric jusqu'à ce vous ayez un levier de remplacement du fabricant.

### Abaisser

**⚠ AVERTISSEMENT :** Avant d'abaisser la charge, assurez-vous qu'il n'y a aucun outil ni personne en dessous de celle-ci. Ouvrez la soupape de surpression lentement. Plus le levier est tourné dans le sens antihoraire, plus la charge descend rapidement. Gardez le contrôle de la charge en tout temps.

1. Levez suffisamment la charge pour qu'elle ne soit plus en contact avec les béquilles de cric, puis enlevez ces dernières.
2. Tournez lentement le levier dans le sens antihoraire, mais ne faites pas plus d'un demi-tour. *Si la charge ne descend pas :*
  - a. Utilisez un autre cric pour soulever le véhicule suffisamment pour remettre les béquilles de cric.
  - b. Enlevez le cric défectueux et ensuite les béquilles de cric.
  - c. Utilisez le cric qui fonctionne pour faire descendre le véhicule.
3. Après avoir retiré le cric, abaissez le vérin à piston plongeur et la douille de la poignée pour réduire l'exposition à la rouille et aux contaminants.

## ENTRETIEN

**AVIS :** Utilisez seulement de l'huile pour cric hydraulique de bonne qualité. Évitez de mélanger différents types de liquides et n'utilisez JAMAIS de liquide pour frein, d'huile de turbine, de liquide de transmission, d'huile moteur ou de glycérine. L'utilisation d'un liquide inapproprié peut entraîner une défaillance prématurée du cric et causer une chute potentielle soudaine et immédiate de charge. Il est recommandé d'utiliser de l'huile pour cric hydraulique de première qualité.

### Ajouter de l'huile

1. Lorsque le vérin à piston plongeur est à son niveau minimal et que le piston du levier est enfoncé au maximum, mettez le cric debout et à niveau. Enlevez le bouchon ou la vis de remplissage d'huile.
2. Mettez de l'huile jusqu'à ce que son niveau soit juste en dessous du rebord du trou de remplissage d'huile. Remettez le bouchon ou la vis.

### Changer l'huile

Afin d'obtenir une performance et une durée de vie optimales, remplacez complètement l'huile au moins une fois par année.

1. Lorsque le vérin à piston plongeur est à son niveau minimal et que le piston du levier est enfoncé au maximum, enlevez le bouchon ou la vis de remplissage d'huile.
2. Posez le cric sur le côté et purgez le liquide en l'envoyant dans un contenant adéquat.

**AVIS :** Jetez l'huile hydraulique en respectant la réglementation environnementale locale.

3. Mettez de l'huile jusqu'à ce que son niveau soit juste en dessous du rebord du trou de remplissage d'huile.
4. Suivez la procédure pour purger l'air emprisonné (page 11). Remettez le bouchon ou la vis.

### Lubrifier

Une lubrification périodique des points de pivotement, des axes et des charnières faite avec de l'huile légère aide à prévenir la rouille et à assurer que les assemblages du levier bougent librement.

### Nettoyer

Inspectez périodiquement le piston du levier et le vérin à piston plongeur pour voir s'il y a de la rouille ou de la corrosion. Nettoyez selon les besoins et essuyez avec un linge huileux.

**AVIS :** N'utilisez pas de papier sablé ni de matériau abrasif sur le piston du levier et le vérin à piston plongeur.

### Ranger

Lorsque le cric n'est pas utilisé, rangez-le, le piston du levier et le vérin à piston plongeur devant être à leur niveau minimal et l'alimentation en air débranchée.

## DÉPANNAGE

Problème	Causes possibles	Mesure corrective
Cric ne soulevant pas la charge	<ul style="list-style-type: none"><li>• Soupape de surpression qui n'est pas bien fermée</li><li>• Surcharge</li></ul>	<ul style="list-style-type: none"><li>• Assurez-vous que la soupape est bien fermée.</li><li>• Remédiez au problème de surcharge.</li></ul>
Cric soulevant la charge mais qui redescend	<ul style="list-style-type: none"><li>• Soupape de surpression qui n'est pas bien fermée</li><li>• Défaillance du vérin hydraulique</li></ul>	<ul style="list-style-type: none"><li>• Assurez-vous que la soupape est bien fermée.</li><li>• Communiquez avec le soutien technique d'Pro-Lift.</li></ul>
Cric ne descendant pas après avoir enlevé la charge	<ul style="list-style-type: none"><li>• Trop de liquide hydraulique dans le réservoir</li></ul>	<ul style="list-style-type: none"><li>• Assurez-vous que la charge est enlevée, puis purgez le liquide hydraulique pour qu'il soit au bon niveau.</li></ul>
Performance de levage médiocre	<ul style="list-style-type: none"><li>• Niveau de liquide hydraulique trop bas</li><li>• Air emprisonné dans le réservoir</li></ul>	<ul style="list-style-type: none"><li>• Assurez-vous que le niveau de liquide est adéquat.</li><li>• Suivez la procédure de la section <b>Purge de l'air emprisonné</b> à la page 11.</li></ul>
Le point d'appui ne s'élève pas au maximum	<ul style="list-style-type: none"><li>• Niveau de liquide hydraulique trop bas</li></ul>	<ul style="list-style-type: none"><li>• Assurez-vous que le niveau de liquide est adéquat.</li></ul>

## PIÈCES DE RECHANGE

Ce ne sont pas tous les composants du cric qui peuvent être remplacés. Lorsque vous commandez des pièces, fournissez le numéro du modèle, le numéro de la pièce et la description de cette dernière. Pour connaître les prix actuels, appelez-nous ou écrivez-nous : SFA Companies Inc., 10939 N. Pomona Ave., Kansas City, MO 64153, É.-U., téléphone : 1 888 322-6419, télécopieur : 1 816 891-6599, courriel : sales@ProLiftProducts.com, site Web d'Pro-Lift : www.ProLiftProducts.com.

### Liste de pièces de rechange pour les modèles B-002DB, B-004DB, B-006DB

Pièce	N° de pièce pour modèles : B-002D, B-004D & B-006D	Description	Qté
1	F36100-0001	Bouchon d'huile (Pas montré)	1
2	B-006D-2	Assemblage de la poignée	1

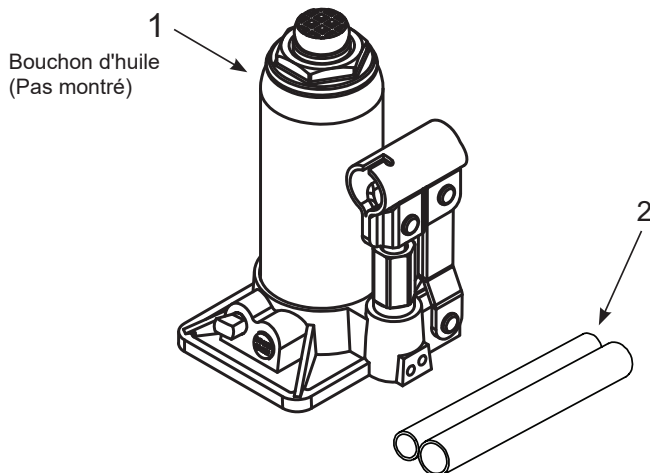


Figure 2 : Illustration pour les modèles  
B-002D, B-004D et B-006D

## GARANTIE LIMITÉE DE 1 AN

Pendant une période d'un (1) an, à partir de la date d'achat, **SFA Companies, Inc.** réparera ou remplacera, à sa discrétion, sans frais, tous ses produits qui, utilisés dans des conditions normales, sont défectueux à cause d'un défaut de matériel ou de fabrication. Cette garantie limitée est le seul recours du consommateur.

Pour bénéficier du service offert par la garantie, il faut retourner le produit couvert par celle-ci, port payé, à **SFA Companies, Inc.** Warranty Service Department, 10939 N. Pomona Ave., Kansas City, MO 64153, États-Unis.

Sauf dans les cas où les limitations et les exclusions décrites dans ce paragraphe sont spécifiquement interdites par la loi : (1) LE SEUL RECOURS DU CONSOMMATEUR EST DE FAIRE RÉPARER OU REMPLACER LES PRODUITS DÉFECTUEUX COMME DÉCRIT CI-DESSUS; (2) **SFA Companies, Inc.** NE SERA PAS TENUE RESPONSABLE DES DOMMAGES CONSÉCUTIFS OU INDIRECTS OU DE PERTES QUELCONQUES; (3) TOUTE GARANTIE IMPLICITE, CE QUI INCLUT SANS LIMITATION LES GARANTIES IMPLICITES DE COMMERCIALITÉ ET D'ADAPTATION À UN USAGE PARTICULIER, SERA LIMITÉE À UN AN, À DÉFAUT DE QUOI LA RÉPARATION, LE REMPLACEMENT OU LE REMBOURSEMENT, SELON CETTE GARANTIE EXPRESSE LIMITÉE, CONSTITUE LE SEUL RECOURS DU CLIENT, ET REMPLACE TOUTE AUTRE GARANTIE, IMPLICITE OU EXPRESSE; (4) TOUTE MODIFICATION, ALTÉRATION, UTILISATION ABUSIVE OU NON AUTORISÉE OU DÉCORATION ORNEMENTALE ANNULE CETTE GARANTIE ET N'EST PAS COUVERTE PAR CELLE-CI.

Certaines provinces et certains États ne permettent pas de limiter la durée d'une garantie implicite et il est donc possible que la limitation décrite ci-dessus ne s'applique pas. Certaines provinces et certains États ne permettent pas d'exclure ou de limiter les dommages consécutifs ou indirects et il est donc possible que la limitation ou l'exclusion mentionnée ci-dessus ne s'applique pas. Cette garantie vous confère des droits particuliers et il est aussi possible que vous puissiez jouir d'autres droits qui varient d'une province à l'autre et d'un État à l'autre.

---

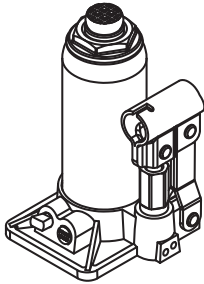
SFA Companies  
10939 N. Pomona Ave., Kansas City, MO 64153  
1 888 332-6419  
sales@ProLiftProducts.com



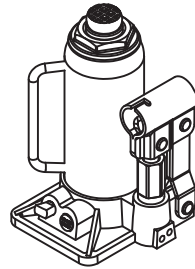
# Pro-Lift® Gatos hidráulicos de botella

## Manual de piezas e instrucciones de funcionamiento

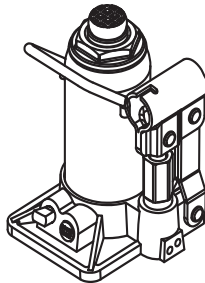
Models: B-002D, B-004D B-006D B-008D, B-012D, B-020D, B-S12D, B-S20D



Modelos B-002D, B-004D, B-006D



Modelos B-008D, B-012D, B-020D



Modelos B-S12D, B-S20D



*Este es el símbolo de alerta de seguridad. Se usa para alertar sobre peligros potenciales de lesiones personales.*

*Obedezca todos los mensajes de seguridad que tengan este símbolo, para evitar posibles lesiones personales o la muerte.*

### **⚠ ADVERTENCIA**



*Para evitar lesiones por opresión y otras lesiones:  
NUNCA trabaje sobre, debajo o alrededor de una carga que solamente esté apoyada en un gato hidráulico. SIEMPRE use un par emparejado de soportes para gato de capacidad nominal adecuada.*

**SFA Companies**  
[www.ProLiftProducts.com](http://www.ProLiftProducts.com)

**Lea este manual y respete todas las reglas de seguridad y las instrucciones de funcionamiento antes de usar este producto.**

## INFORMACIÓN GENERAL Y DE SEGURIDAD

**Conserve estas instrucciones.** Para su seguridad, lea, comprenda y siga la información que viene con este dispositivo antes de su uso. El propietario u operador debe tener conocimientos sobre el dispositivo, sus características operativas y las instrucciones para un funcionamiento seguro antes de utilizar el equipo. El propietario u operador debe tener presente que el uso y la reparación de este producto podrían requerir habilidades y conocimientos especiales. Es preciso leer y analizar las instrucciones y la información de seguridad con el operador, en su lengua materna, a fin de asegurarse de que el operador comprenda su contenido antes de recibir autorización para el uso de este equipo. Si tiene dudas sobre el uso seguro y adecuado de este dispositivo, proceda a sacarlo de servicio de inmediato.

**Inspeccione el dispositivo antes de cada uso.** No use el dispositivo si presenta anomalías, como grietas en la soldadura, o piezas dañadas, flojas o faltantes. Debe sacar de servicio todo equipo que presente daños, de la naturaleza que fueren, esté gastado o funcione mal hasta su reparación. Si tiene la sospecha o la certeza de que el equipo fue sometido a una carga o sufrió un impacto anormal, interrumpa el uso de inmediato hasta que sea controlado por un centro de reparación autorizado por la fábrica (comuníquese con el distribuidor o fabricante para obtener una lista de los centros de reparación autorizados). Se recomienda realizar una inspección anual a cargo de un centro de reparaciones autorizado. Las etiquetas y los manuales del operador están disponibles por parte del fabricante.

## DESCRIPCIÓN DEL PRODUCTO

Los gatos hidráulicos de botella Pro-Lift están diseñados para levantar, no soportar, cargas de capacidad nominal que consisten en un extremo del vehículo. Inmediatamente después del levantamiento, la carga debe apoyarse en un par emparejado de soportes para gato de capacidad nominal adecuada.

**⚠ ADVERTENCIA:** *Nunca use un gato hidráulico como dispositivo independiente. Luego de levantar el vehículo, apoye inmediatamente la carga elevada en un par emparejado de soportes para gato adecuados.*

## ESPECIFICACIONES

Modelo	Capacidad	Tamaño de la base (L x P)	Altura mín.	Altura máx.	Tornillo de extensión
B-002D	2 toneladas (4000 libras)	8,90 x 9,30 cm (3-1/2 x 3-5/8po)	1,81 cm (7-1/8 po)	34,50 cm (13-5/8 po)	4,80 cm (1-7/8po)
B-004D	4 toneladas (6000 libras)	10,80 x 10,03 cm (4-1/4 x 4po)	20,30 cm (8 po)	39,40 cm (15-1/2po)	6,00 cm (2-3/8po)
B-006D	6 toneladas (12 000 libras)	11,60 x 11,10 cm (4-5/8 x 4-3/8po)	21,60 cm (8-1/2 po)	42,20 cm (16-5/8po)	7,60 cm (3po)
B-008D	8 toneladas (16000 libras)	11,80 x 11,70 cm (4-5/8 x 4-5/8po)	22,40 cm (8-7/8po)	44,10 cm (17-1/4po)	7,00 cm (2-3/4po)
B-012D	12 toneladas (24000 libras)	13,90 x 13,40 cm (5-1/2 x 5-3/8po)	24,20 cm (9-1/2po)	47,70 cm (18-3/4po)	8,00 cm (3-1/8po)
B-S12D	12 toneladas (24000 libras)	13,90 x 13,40 cm (5-1/2 x 5-3/8po)	15,40 cm (6po)	27,10 cm (10-5/8po)	4,00 cm (1-5/8po)
B-020D	20 toneladas (40000 libras)	16,00 x 15,30 cm (6-3/8 x 6po)	24,20 cm (9-1/2po)	47,20 cm (18-3/4po)	8,00 cm (3-1/8po)
B-S20D	20 toneladas (40000 libras)	16,00 x 15,30 cm (6-3/8 x 6po)	16,50 cm (6-1/2po)	28,10 cm (11po)	4,10 cm (1-5/8po)

## PREPARACIÓN

### Antes del uso

1. Antes de usar este producto, lea todo el manual del operador; procure familiarizarse en forma completa con el producto y sus componentes, y reconocer los peligros asociados a su uso.
2. Verifique que el producto y la aplicación sean compatibles; si tiene dudas, llame al Servicio técnico de Pro-Lift al (888) 332-6419.
3. Instale la manija; asegúrese de que los sujetadores de resorte se alineen con las ranuras.
4. Para familiarizarse con el funcionamiento básico, use el extremo muescado de la manija de la bomba provista para accionar y girar la válvula de liberación:
  - a. *A la derecha* hasta que sienta una resistencia firme para continuar girando. Esta es la posición '**CERRADO**' de la válvula de liberación que se usa para elevar el pistón del ariete.
  - b. *A la izquierda*, pero no más de 1/2 giro con respecto a la posición de cerrado. Esta es la posición '**ABIERTO**' de la válvula de liberación que se usa para bajar el pistón del ariete.
5. Una vez que el pistón del ariete se haya contraído por completo y la válvula de liberación esté cerrada, bombee la manija de funcionamiento. Si el pistón del ariete responde de inmediato, el gato está listo para ser usado. Si el gato no responde, siga las instrucciones de la sección **Purgado/descarga del aire atrapado** a continuación.
6. Compruebe que la bomba funcione sin dificultades y que el tornillo de extensión se enrosque fácilmente hacia arriba y hacia abajo antes de ponerlo en servicio. Reemplace las piezas y los conjuntos desgastados o dañados solo con piezas de repuesto autorizadas de Pro-Lift.

### Purgado/descarga del aire atrapado

Coloque la válvula de liberación en la posición ABIERTO (paso 4b anterior) y baje el pistón del ariete en forma completa; luego, ubique y retire el tapón/tornillo de llenado de aceite. Coloque la manija de la bomba en el manguito de la manija; luego bombee de 6 a 8 recorridos completos. Esto ayudará a liberar el aire presurizado que pudiera estar atrapado dentro del depósito. El aceite debe estar a nivel con la parte inferior del orificio de llenado de aceite. Vuelva a colocar el tapón/tornillo de llenado de aceite.

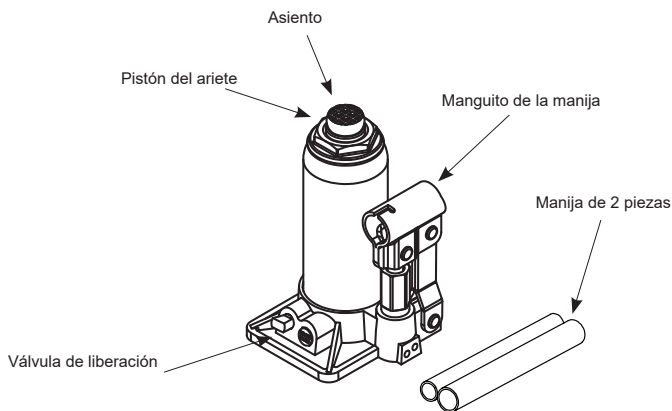


Figura 1: Nomenclatura habitual de un gato de botella (se muestra B-002D)

## ⚠ ADVERTENCIA

- *Estudie, comprenda y siga todas las instrucciones antes de poner en funcionamiento este dispositivo.*
- *No exceda la capacidad establecida.*
- *Utilícelo únicamente sobre superficies duras y uniformes capaces de soportar la carga.*
- *Es solo un dispositivo para levantar cargas. Inmediatamente después de levantar la carga, utilice los soportes adecuados.*
- *Use solamente las áreas del vehículo especificadas por el fabricante del vehículo.*
- *No deben hacerse modificaciones a este producto.*
- *Solo deben utilizarse accesorios y/o adaptadores suministrados por el fabricante.*
- *Si no se respetan estas indicaciones, podrían producirse lesiones personales o daños a la propiedad.*

## ⚠ ADVERTENCIA



*Para evitar lesiones por opresión y otras lesiones:*

- *Nunca trabaje sobre, debajo o alrededor de una carga que solamente esté apoyada en un gato hidráulico.*
- *Siempre use soportes para gato de capacidad nominal adecuada.*
- *Bloquee cada rueda sin elevar en ambas direcciones.*
- *No utilice este dispositivo para levantar, nivelar, bajar, apoyar ni mover una casa, casa rodante, remolque de viaje, camioneta "camper" u otra estructura de construcción.*
- *Cuando utilice este equipo, procure estar atento y sobrio. No use el equipo si está bajo los efectos de drogas o bebidas alcohólicas.*

## FUNCIONAMIENTO

### Elevación del pistón del ariete

1. Instale la manija de la bomba; alinee los sujetadores de resorte con las ranuras correspondientes.
2. Estacione el vehículo, con el freno de emergencia accionado y las ruedas firmemente bloqueadas para evitar el movimiento accidental del vehículo.
3. Ubique y cierre la válvula de liberación; para hacerlo, gire la manija de la bomba a la derecha hasta que sienta una resistencia firme.
4. Verifique el punto de elevación; centre el asiento del gato debajo del punto de elevación.
5. Coloque la manija de la bomba en el manguito de la manija y la bomba hasta que toque el punto de elevación. Para la elevación, siga bombeando hasta que la carga alcance la altura deseada.
6. Transfiera la carga elevada a un par emparejado de soportes para gato con la carga nominal adecuada.

**AVISO:** Use la manija de la bomba proporcionada por el fabricante del gato. La manija proporcionada con este gato se enganchará de manera segura en la válvula de liberación y operará el manguito de la manija. Si la manija está desgastada, funciona de manera anormal o no se engancha de manera positiva en la válvula de liberación, DETÉNGASE e interrumpa el uso del gato hasta que pueda adquirirse una manija de reemplazo de la fábrica.

### Descenso

**⚠ ADVERTENCIA:** Despeje el área de herramientas y operarios antes de bajar la carga. Abra lentamente la válvula de liberación. Cuanto más gire la manija a la izquierda, más rápido descenderá la carga. Mantenga el control de la carga en todo momento.

1. Eleve la carga a una altura que permita despejar los soportes para gato, luego retire con cuidado dichos soportes.
2. Gire lentamente la manija de la bomba a la izquierda, pero no más de 1/2 giro. *Si la carga no desciende:*
  - a. Use otro gato para elevar el vehículo a una altura que permita volver a instalar los soportes para gato.
  - b. Retire el gato afectado y, a continuación, los soportes.
  - c. Use el gato que funciona para bajar el vehículo.
3. Luego de retirar el gato de la parte de abajo de la carga, baje el pistón del ariete y el manguito de la manija para reducir la exposición al óxido y la contaminación.

## MANTENIMIENTO

**AVISO:** Use solo aceite para gatos hidráulicos de buena calidad. Evite mezclar diferentes tipos de líquidos y NUNCA use líquido de frenos, aceite de turbinas, líquido de transmisión, aceite de motor ni glicerina. El uso de un líquido inadecuado puede provocar fallas prematuras en el gato y posibles pérdidas de carga repentinas e inmediatas. Se recomienda el uso de aceite para gato hidráulico de alta calidad.

### Agregado de aceite

1. Una vez que el pistón del ariete haya descendido por completo y el pistón de la bomba se haya oprimido por completo, coloque el gato en posición vertical y a nivel. Quite el tapón/tornillo de llenado de aceite.
2. Llene con aceite hasta justo por debajo del borde del orificio de llenado de aceite. Vuelva a colocar el tapón/tornillo de llenado de aceite.

### Cambio de aceite

Para lograr el mejor rendimiento y una vida útil más prolongada, cambie el suministro completo de líquido por lo menos una vez al año.

1. Una vez que el pistón del ariete haya descendido por completo y el pistón de la bomba se haya oprimido por completo, quite el tapón/tornillo de llenado de aceite.
2. Coloque al gato de lado y descargue el líquido en un recipiente adecuado.

**AVISO:** Deseche el aceite hidráulico conforme a las reglamentaciones ambientales locales.

3. Llene con aceite hasta justo por debajo del borde del orificio de llenado de aceite.
4. Realice el procedimiento de la sección Purgado/descarga del aire atrapado (página 19). Vuelva a colocar el tapón/tornillo de llenado de aceite.

### Lubricación

La lubricación periódica con un aceite liviano en los puntos de giro, los ejes y las bisagras ayudará a evitar la corrosión y garantizará que los conjuntos de la bomba se muevan libremente.

### Limpieza

Verifique periódicamente el pistón de la bomba y el pistón del ariete en busca de signos de oxidación o corrosión. Límpielos con un paño con aceite, según sea necesario.

**AVISO:** No use papel de lija ni materiales abrasivos en las superficies del ariete y el pistón de la bomba.

### Almacenamiento

Cuando no lo utilice, guarde el gato con el pistón de la bomba y el pistón del ariete totalmente contraídos y el suministro de aire desconectado.

## LOCALIZACIÓN Y SOLUCIÓN DE AVERÍAS

Síntoma	Causas posibles	Medidas correctivas
El gato no levanta la carga.	<ul style="list-style-type: none"><li>• La válvula de liberación no está herméticamente cerrada.</li><li>• Hay un estado de sobrecarga.</li></ul>	<ul style="list-style-type: none"><li>• Asegúrese de que la válvula de liberación esté herméticamente cerrada.</li><li>• Solucione el estado de sobrecarga.</li></ul>
El gato se eleva, pero no mantiene la presión.	<ul style="list-style-type: none"><li>• La válvula de liberación no está herméticamente cerrada.</li><li>• La unidad hidráulica no funciona correctamente.</li></ul>	<ul style="list-style-type: none"><li>• Asegúrese de que la válvula de liberación esté herméticamente cerrada.</li><li>• Póngase en contacto con un técnico de servicio de Pro-Lift.</li></ul>
El gato no baja después de su descarga.	<ul style="list-style-type: none"><li>• El depósito está lleno en exceso.</li></ul>	<ul style="list-style-type: none"><li>• Asegúrese de retirar la carga y descargue el líquido hasta el nivel adecuado.</li></ul>
La capacidad de elevación es deficiente.	<ul style="list-style-type: none"><li>• El nivel de líquido está bajo.</li><li>• Hay aire atrapado en el sistema.</li></ul>	<ul style="list-style-type: none"><li>• Asegúrese de que el nivel de líquido sea el adecuado.</li><li>• Siga el procedimiento indicado en <b>Purgado/descarga del aire atrapado</b>, en la página 19.</li></ul>
La elevadora no se eleva al máximo de su capacidad.	<ul style="list-style-type: none"><li>• El nivel de líquido está bajo.</li></ul>	<ul style="list-style-type: none"><li>• Asegúrese de que el nivel de líquido sea el adecuado.</li></ul>

## PIEZAS DE REPUESTO

No todos los componentes del gato tienen reemplazo. Cuando realice el pedido de piezas, indique el número de modelo, el número de serie y la descripción de la pieza. Para obtener el precio vigente, comuníquese a: SFA Companies Inc. 10939 N. Pomona Ave. Kansas City, MO 64153, U.S.A. Tel.:(888) 332-6419 Fax:(816) 891-6599  
Correo electrónico: sales@ProLiftProducts.com  
Sitio web de Pro-Lift: www.ProLiftProducts.com

### Lista de piezas de repuesto para los modelos B-002D, B-004D, B-006D

Elemento	N.º de pieza para los modelos: B-002D, B-004D y B-006D	Descripción	Cant.
1	F36100-0001	Tapón de aceite (No mostrada)	1
2	B-006D-2	Conjunto de la manija	1

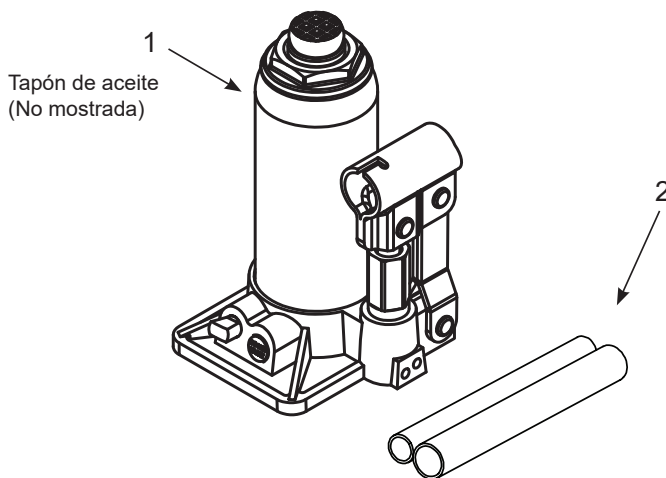


Figura 2: Ilustración para los modelos B-002D, B-004D y B-006D

## GARANTÍA LIMITADA DE UN AÑO

Por el período de un (1) año desde la fecha de compra, **SFA Companies, Inc.** reparará o reemplazará, a su discreción, sin costo alguno, cualquier producto que presente fallas debido a defectos de materiales o mano de obra bajo condiciones normales de uso. Esta garantía limitada es un recurso exclusivo del consumidor.

El cumplimiento de toda obligación en virtud de esta garantía puede obtenerse con el envío del producto en garantía, con flete abonado en origen, a **SFA Companies, Inc. Warranty Service Department**, 10939 N. Pomona Ave., Kansas City, MO 64153.

Salvo que tales limitaciones y exclusiones estén específicamente prohibidas por las leyes vigentes, (1) EL ÚNICO Y EXCLUSIVO RECURSO DEL CONSUMIDOR SERÁ LA REPARACIÓN O EL REEMPLAZO DE LOS PRODUCTOS DEFECTUOSOS, COMO SE DETALLA ARRIBA. (2) **SFA Companies, Inc.** NO SERÁ RESPONSABLE, EN NINGÚN CASO, POR DAÑOS O PÉRDIDAS EMERGENTES O INCIDENTALES. (3) TODA GARANTÍA IMPLÍCITA, LO QUE INCLUYE, ENTRE OTRAS, LAS GARANTÍAS IMPLÍCITAS DE COMERCIALIZACIÓN Y APTITUD PARA FINES ESPECÍFICOS, ESTARÁ LIMITADA A UN AÑO; DE OTRO MODO, LA REPARACIÓN, EL REEMPLAZO O LA DEVOLUCIÓN DE DINERO CONFORME A ESTA GARANTÍA LIMITADA EXPRESA SERÁ EL EXCLUSIVO RECURSO DEL CONSUMIDOR, Y SE OFRECE EN LUGAR DE CUALQUIER OTRA GARANTÍA, EXPRESA O IMPLÍCITA. (4) CUALQUIER MODIFICACIÓN, ALTERACIÓN, USO INDEBIDO, SERVICIO NO AUTORIZADO O DISEÑO ORNAMENTAL ANULARÁ ESTA GARANTÍA Y NO ESTARÁ CUBIERTO POR ESTA GARANTÍA.

Algunos estados no permiten la limitación de la duración de las garantías implícitas, por lo que las limitaciones anteriores pueden no aplicarse en su caso. Algunos estados no permiten excluir o limitar los daños emergentes o incidentales, por lo tanto esta limitación o exclusión puede no ser aplicable en su caso. Esta garantía le otorga derechos legales específicos. Usted puede tener además otros derechos que varían de un estado a otro.

